

ELVITA



CDM2601X

Quick start guide

Dishwasher

Snabbguide

Diskmaskin

Hurtigstartveiledning

Oppvaskmaskin

Hurtig startvejledning

Opvaskemaskine

Pikaopas

Astianpesukone

Flýtleiðbeiningar

Uppþvottavél

Thank you

for your trust and the purchase of our product. This quick start guide is supplied to help you get started using this product.

Make sure you have received an undamaged product. If you do find transport damage, please contact the seller from which you purchased the product, or the regional warehouse from which it was supplied.

Tack

för ditt förtroende och för köpet av vår produkt. Denna snabbstartsguide medföljer för att hjälpa dig att börja använda produkten.

Kontrollera att produkten du har tagit emot är oskadad. Om du upptäcker en transportskada, var vänlig kontakta återförsäljaren som du köpte produkten av, eller den lokala butiken som levererade den.

Takk

for at du valgte ett av våre produkter. Formålet med denne brukerveiledningen er å hjelpe deg å komme i gang med produktet.

Forsikre deg om at produktet du har mottatt, er uskadet. Hvis du oppdager en transportskade, kontakter du selgeren du kjøpte produktet av eller lageret som produktet ble levert fra.

Tak,

fordi du har valgt at købe denne maskine. Formålet med denne hurtigvejledning er at hjælpe dig i gang med at bruge maskinen.

Kontrollér, at maskinen ikke er beskadiget ved modtagelsen. Hvis du opdager en transportskade, skal du kontakte salgsstedet eller det lager, som maskinen er afsendt fra.

Kiitos

luottamuksestasi ja tuotteemme ostamisesta. Tämä pikaopas on tarkoitettu auttamaan laitteen käytössä alkuun pääsemisessä.

Tarkista, ettei tuotteessa ole vaurioita. Jos havaitset kuljetusvaurioita, ota yhteyttä tuotteen myyjään tai paikalliseen myymälään, josta se toimitettiin.

Pakka þér fyrir

fyrir traust þitt og kaup á vöru okkar. Þessar flýtleiðbeiningar eru útvegaðar til að hjálpa þér að byrja að nota tækið.

Gakktu úr skugga um að þú hafir fengið óskemmda vöru. Ef skemmdir vegna flutninga finnast skaltu hafa samband við söluaðilann sem þú keyptir vöruna af, eða vöruhúsið á svæðinu þaðan sem því var dreift.

ELVITA

Language: en-GB, sv-SE, nb-NO, da-DK, fi-FI, is-IS
Publication date: 2021-12-03

This document and its content, including written material and images, are the property of Elon Group AB. You may not copy, reproduce, modify, republish or distribute this document or any of its content without express written permission from Elon Group AB. © 2021, Elon Group AB. All rights reserved.

This is a quick start guide. For your convenience you can find the user manual online, with full information about installation, usage, maintenance, and troubleshooting. Please go to elvita.se and use the search function and the product's model code to find the manual. To find the model code, see the instructions in section "Find the model code", page 5.

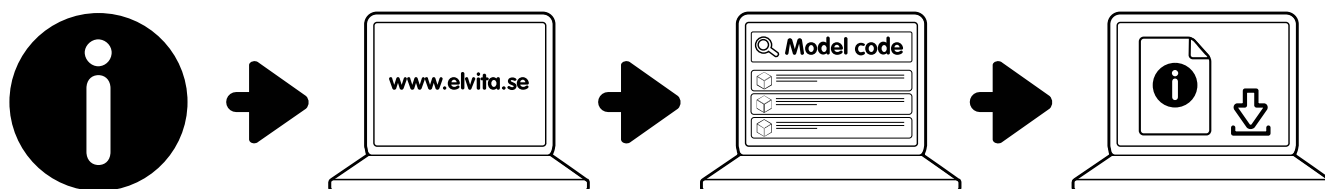
Detta är en snabbstartsguide. Du hittar användarhandboken på webben, med full information om installation, användning, underhåll och felsökning. Gå till elvita.se och använd sökfunktionen och produktens modellkod för att hitta handboken. Hur du hittar modellkoden beskrivs i avsnitt "Hitta modellkoden", sida 16.

Dette er en hurtigveiledning. Brukerhåndboken er tilgjengelig i nettversjon, med all informasjon om installasjon, bruk, vedlikehold og feilsøking. Gå til elvita.se, og bruk søkefunksjonen og produktets modellkode for å finne håndboken. Du finner modellkoden ved å følge anvisningene i del "Finne modellkoden", side 28.

Dette er en hurtig startvejledning. For nemheds skyld kan du finde brugsanvisningen online med fuldstændige oplysninger om installation, brug, vedligeholdelse og fejlfinding. Gå til elvita.se, og brug søgefunktionen og produktets modelkode til at finde brugsanvisningen. Find modelkoden ved at se vejledningen i afsnit "Find modelkoden", side 40.

Tämä on pikaopas. Verkossa on kätevästi saatavilla käyttöohje, joka sisältää kattavat tiedot asentamisesta, käytöstä, huollosta ja vianmäärityksestä. Löydät käyttöohjeen menemällä osoitteeseen elvita.se ja etsimällä tuotteen mallikoodilla hakutoiminnosta. Löydät mallikoodin noudattamalla ohjeita kappale "Etsi mallikoodi", sivu 52.

Þetta eru flýtleiðbeiningar. Þér til hægðarauka getur þú fundir notendahandbókina á netinu, með öllum upplýsingum um uppsetningu, notkun, viðhald og bilanagreiningu. Farðu á elvita.se og notaðu leitaraðgerðina og gerðarkóða vörunnar til að finna handbókina. Til að finna gerðarkóðann skal sjá leiðbeiningarnar í hluti "Finndu gerðarkóðann", síðu 64.



CONTENTS/INNEHÅLL/INNHOLD/INDHOLD/SISÄLLYSLUETTELO/EFNISYFIRLIT

ENGLISH	4
SVENSKA	15
NORSK.....	27
DANSK.....	39
SUOMI	51
ÍSLENSKA	63

Contents

READ THIS!	5
SAFETY	6
Admonitions	6
Intended use	6
Safety for children and people with disabilities.....	6
General safety.....	7
Safety during installation	7
Safety during operation	8
Safety during maintenance	9
Disposal.....	9
QUICK START	10
GETTING TO KNOW YOUR DISHWASHER	11
Controls	11
Symbols on the display	11
Detergent dispenser and rinse aid dispenser	11
Use the child lock	12
Programmes.....	12
Options, settings and functions.....	12
BEFORE FIRST USE	13
Adjust the water softener level	13
Add salt to the water softener	14
Run an empty load.....	14

READ THIS!

**WARNING!**

Read the safety information and the full instructions before installing or using this product.

Find the full instructions

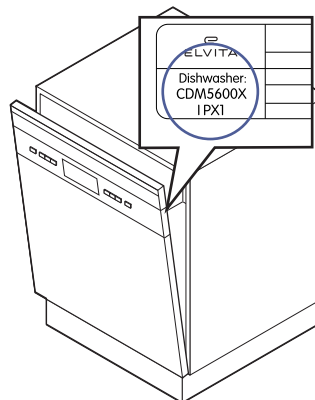
You will find the full and most recent user information for your product model on the web page www.elvita.se. This includes details about installation, usage, maintenance, and troubleshooting. You will need the model code to search for the information.

Find the model code

The model code is printed on a label on the product.

**NOTE!**

This product and label text are examples. Your product and text may have a different look and content.



SAFETY

Carefully read the instructions before you install and use the product. Save the instructions and keep them near the product for future reference. All kinds of warranties shall be invalid if these instructions are not followed.

Admonitions

**WARNING!**

Used when there is a risk for personal injury.

**CAUTION!**

Used when there is a risk for damage to the product.

**NOTE!**

General information that you should be aware of.



Helpful tips that you may find useful.

Intended use

This product is only intended for indoor use in a household or a household environment such as:

- staff kitchen areas in shops, offices and other working environments;
- farm houses;
- by clients in hotels, motels and other residential type environments;
- bed and breakfast type environments.

Safety for children and people with disabilities

**WARNING!**

Only let the following groups use the product if they are supervised or if instructions are provided to them about how to use the product in a safe way. They must understand the hazards involved.

- Children. (Children younger than 8 years old must be continuously supervised.)
- People with reduced physical, sensory or mental capabilities.
- People with lack of experience and knowledge.

**WARNING!**

- Do not let children play with the product.
- Do not let children clean the product without supervision.

**WARNING!**

Remove the packaging material, as it can be dangerous for children.

**WARNING!**

Keep dishwasher detergent out of the reach of children. Dishwasher detergent is corrosive.

General safety

**WARNING!**

- Installation and repair must only be carried out by a qualified technician.
- Some dishwasher detergents are strongly alkaline. They can be extremely dangerous if swallowed. Avoid contact with the skin and eyes and keep children away from the dishwasher when the door is open.
- If an overflow occurs, turn off the main water supply before calling for service.
- If there is water in the base of the dishwasher due to overfilling or a small leak, the water should be removed before restarting the dishwasher.
- Do not place any heavy objects on, or stand on, the door when it is open. The product could tip forward.

**WARNING!**

Do not leave the door in the open position since this could present a tripping hazard.

**WARNING!**

Risk of electric shock!

- Disconnect electrical power before installing the dishwasher. Failure to do so could result in death or electrical shock.
- Do not immerse the unit, power cord, or plug in water or other liquid.
- This product must be earthed. In the event of a malfunction or breakdown, earthing will reduce the risk of an electric shock by providing a path of least resistance for electric current. This product is equipped with a plug with an earthing conductor.

**CAUTION!**

- Do not wash plastic items unless they are marked "dishwasher safe" or the equivalent. For plastic items that do not have this marking, check the manufacturer's recommendations.
- Use only detergent and rinse agents recommended for use in a dishwasher.
- Never use soap, laundry detergent, or hand washing detergent in your dishwasher.
- Do not abuse, sit on, or stand on the door or dish rack of the dishwasher.
- Do not tamper with the controls when loading items to be washed.

Safety during installation

**WARNING!**

- Electrical equipment must be installed by professionals.
- Hoses should be installed by professionals.

**WARNING!**

Risk for electric shock!

- Disconnect electrical power before installing the product. Failure to do so could result in death or electrical shock.
- The plug must be plugged into an appropriate power socket that is installed and earthed in accordance with all local laws and regulations.
- Improper connection of the earthing conductor can result in the risk of an electric shock.
- Check with a qualified electrician or service representative if you are in doubt whether the product is properly earthed.
- Do not modify the plug provided with the product if it does not fit the power socket.
- Have a proper power socket installed by a qualified electrician.
- Ensure the dishwasher is correctly earthed before use.
- Do not use an extension cord or an adapter plug with this product.
- Do not, under any circumstances, cut or remove the earthing connection from the power cord.
- Take care to avoid kinking or crushing the power cord.

**CAUTION!**

- The inlet water pressure must be between 0.04 MPa and 1 MPa.
- The product must be connected to the water supply using new hoses. Do not reuse old hoses.
- If the water pipes are new or have not been used for an extended period of time, let the water run to make sure that the water is clear. This precaution is necessary to avoid the risk of the water inlet becoming blocked and damaging the product.
- If your sink has a spray jet fed by a hose that is connected to the same water line as the dishwasher the safety supply hose could burst. If your sink has one, it is recommended that the safety supply hose is disconnected and the hole plugged.

**CAUTION!**

The product must not be tilted more than 2°.

Safety during operation

**WARNING!**

Do not operate your dishwasher unless all enclosure panels are properly in place.

**WARNING!**

- Do not let any item stick through the basket bottom.
- Knives and other utensils with sharp points must be loaded in the basket with their points facing down or placed in a horizontal position.

**WARNING!**

Keep dishwasher detergent out of the reach of children. Dishwasher detergent is corrosive.

**WARNING!**

- It is dangerous to open the door mid-cycle, as hot steam may scald you.
- Open the door very carefully if the dishwasher is operating. There is a risk of water squirting out.
- When removing dishes items will be hot. Wait 15 minutes after the programme has ended before removing glass or cutlery.

**CAUTION!**

If the water pipes are new or have not been used for an extended period of time, let the water run to make sure that the water is clear. This precaution is necessary to avoid the risk of the water inlet becoming blocked and damaging the product.

**CAUTION!**

- Only use detergent that is specifically intended for dishwasher use. Keep your detergent fresh and dry.
- Do not put powdered detergent into the dispenser until you are ready to wash dishes.
- Only use branded rinse aid that is formulated for dishwashers. Never fill the rinse aid dispenser with any other substances (e.g. dishwasher cleaning agent, liquid detergent). This would damage the product.
- Only use salt specifically designed for dishwasher use. Any other type of salt that is not specifically designed for dishwasher use, especially table salt, will damage the water softener. The manufacturer's warranty does not cover any damage that results from the use of unsuitable salt.
- Only fill with salt before running a cycle. This will prevent any grains of salt or salty water that may have been spilled from remaining on the bottom of the machine for any period of time, which may cause corrosion.

**CAUTION!**

- When cleaning the filters, do not over-tighten the filters. Refit the filters securely in the correct order, otherwise coarse debris could get into the system and cause a blockage.
- Never use the dishwasher without the filters in place. Incorrect replacement of the filters may reduce the performance of the product and damage dishes and utensils.

**CAUTION!**

Place sharp items so that they are not likely to damage the door seal.



Washing dishes using this dishwasher consumes less energy and water than doing it by hand, provided that you use the machine for household purposes and follow the instructions in this manual.

Safety during maintenance

**WARNING!**

- Installation and repair must only be carried out by a qualified technician.
- Any repair performed by someone who is not a qualified technician puts the users of the product at risk of personal injury.
- Any warranty claim resulting from repairs performed by someone who is not a qualified technician shall not be covered by the warranty.
- If the power cord is damaged, it must be replaced by the manufacturer, the manufacturer's service agent or a similarly qualified person in order to avoid a hazard.

**WARNING!**

Disconnect the product from the mains before cleaning and carrying out maintenance on the product.

**CAUTION!**

- To avoid penetration of water into the door lock and electrical components, do not use a spray cleaner of any kind.
- Do not use solvents or abrasive cleaning products to clean the exterior and rubber parts of the dishwasher.
- Never use abrasive cleaners or scouring pads on the outer surfaces, as they may scratch the finish. Some paper towels may also scratch or leave marks on the surface.

**CAUTION!**

- When cleaning the filters, do not over-tighten the filters. Refit the filters securely in the correct order, otherwise coarse debris could get into the system and cause a blockage.
- Never use the dishwasher without the filters in place. Incorrect replacement of the filters may reduce the performance of the product and damage dishes and utensils.

Disposal



Before you dispose of the product, cut off the power cord and ensure that the door lock is disabled.

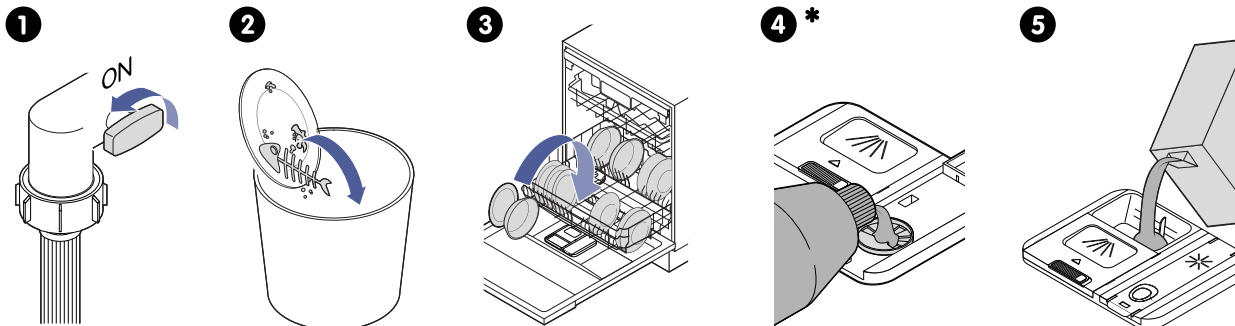
Dispose of packaging in an environmentally-friendly manner. Recycling packaging, while observing national and local regulations, can reduce the consumption of raw materials and the amount of waste in landfill sites.

This product is marked in compliance with European Directive 2012/19/EU, Waste Electrical and Electronic Equipment (WEEE). The symbol on the product or on its packaging indicates that this product should not be treated as household waste. Instead it shall be handed over to the applicable collection point for the recycling of electrical and electronic equipment.

By ensuring this product is disposed of correctly, you will help prevent potential negative consequences for the environment and human health, which could otherwise be caused by inappropriate waste handling of this product. For more detailed information about recycling of this product, please contact the relevant municipal body in charge of waste management, your household waste disposal service or the store where you purchased the product.

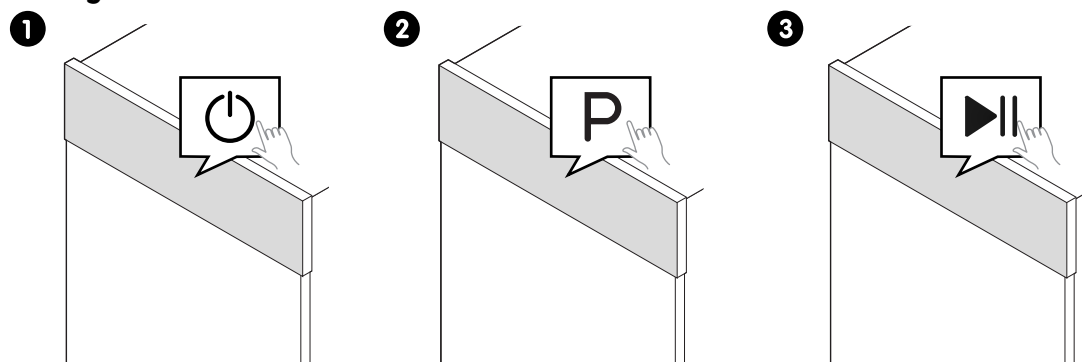
QUICK START

Before washing

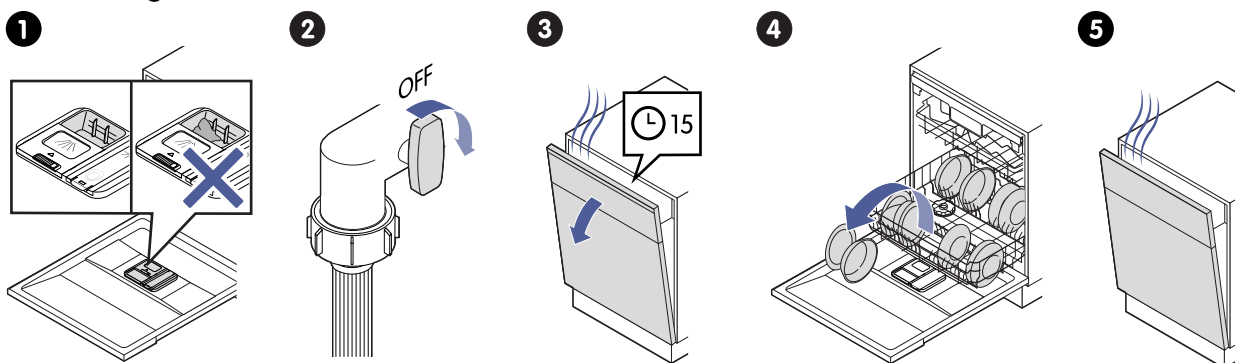


* Optional

Washing

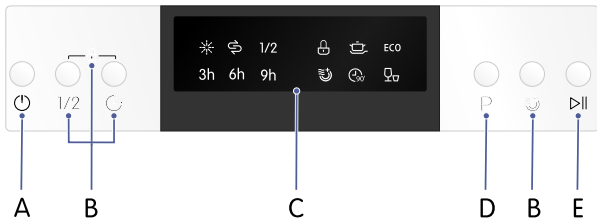


After washing



GETTING TO KNOW YOUR DISHWASHER

Controls



- A. On/Off
- B. Options, settings, and functions
- C. Display
- D. Programme selector
- E. Start/Pause

Symbols on the display



Rinse aid



Salt



Half load



Child lock



Delay 3h



Delay 6h



Delay 9h



Extra drying



Intensive



ECO

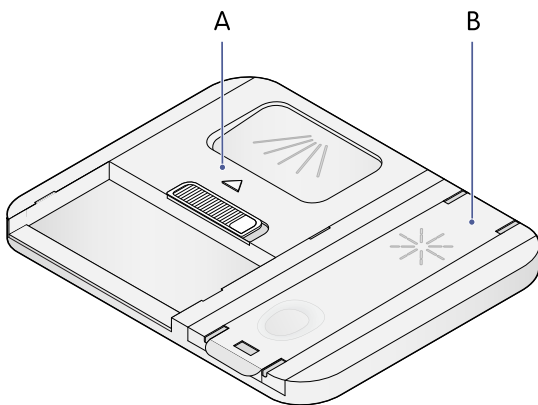


90 min



Rapid

Detergent dispenser and rinse aid dispenser



- A. Detergent dispenser
- B. Rinse aid dispenser







WARNING!

Do not use soap, laundry detergent, or hand washing detergent in your dishwasher. Only use detergent and rinse aid that is specifically intended for dishwasher use.

Use the child lock

Activate the child lock to avoid accidental operation by children.

1. Press and hold  and $\frac{1}{2}$ for 3 seconds until the  indicator light is lit. All buttons except  are now locked.
2. Press and hold  and $\frac{1}{2}$ for 3 seconds to deactivate the child lock.
NOTE! Turning the power off and on will deactivate the child lock.

Programmes

Programme	Description
90 min	For normally soiled loads that need a quick wash.
ECO	The recommended programme for normally soiled dishes, since it reduces energy and water consumption.
Intensive	For heavily soiled crockery, and normally soiled pots, pans, dishes etc., with dried-on food.
Rapid	A shorter wash for lightly soiled loads that do not need drying.

Options, settings and functions



Auto open

Opens the dishwasher door automatically at the end of the programme. This improves the drying results. This function is always active and cannot be turned off.



Child lock

Prevents accidental use of the machine. See section "Use the child lock", page 12.



Delay

Delays the start of the washing programme by a specified amount of time. Maximum delay time is 9 hours.



Extra drying

Gives the dishes an extra thorough drying.



Half load

Saves energy and water. Can be used when half or less than half of the dishwashers place settings are being used.

BEFORE FIRST USE





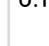

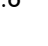




CAUTION!

Before washing, make sure the dishwasher is correctly installed.

You need to add salt to the water softener to remove minerals and salts from the water that would have an adverse effect on the operation of the dishwasher. See section "Add salt to the water softener", page 14.

Adjust the water softener level

Set the water softener level according to the hardness of the water in your area. See the following table to select the appropriate level. Your local water authority can advise you on the local water hardness.



Water hardness				Water softener level	Regeneration occurrence*	Salt consumption (grams/cycle)
German °dH	French °fH	British °Clarke	mmol/l			
0 - 5	0 - 9	0 - 6	0 - 0.94	H1 -  indicator light is lit	No regeneration	0
6 - 11	10 - 20	7 - 14	1.0 - 2.0	H2 -  indicator light is lit	10	9
12 - 17	21 - 30	15 - 21	2.1 - 3.0	H3 -  and  indicator lights are lit	5	12
18 - 22	31 - 40	22 - 28	3.1 - 4.0	H4 -  indicator light is lit	3	20
23 - 34	41 - 60	29 - 42	4.1 - 6.0	H5 -  and  indicator lights are lit	2	30
35 - 55	61 - 98	43 - 69	6.1 - 9.8	H6 -  and  indicator lights are lit	1	60

*Regeneration occurs every X programme sequence.



NOTE!

Every cycle with a regeneration operation increases the water consumption by 2.0 litres of water, the energy consumption by 0.02 kWh, and the programme duration by 4 minutes.

1. Close the door.
2. Press  to turn on the machine.
3. Within 60 seconds, press and hold **P** for more than 5 seconds to enter the water softener setup mode.
4. Press **P** to cycle through the available water softener levels (**H1**, **H2**, **H3** (default), **H4**, **H5**, **H6**).
5. Press  to confirm and to exit the water softener setup mode.

You will exit the water softener setup mode if you leave the settings unchanged for 5 seconds.

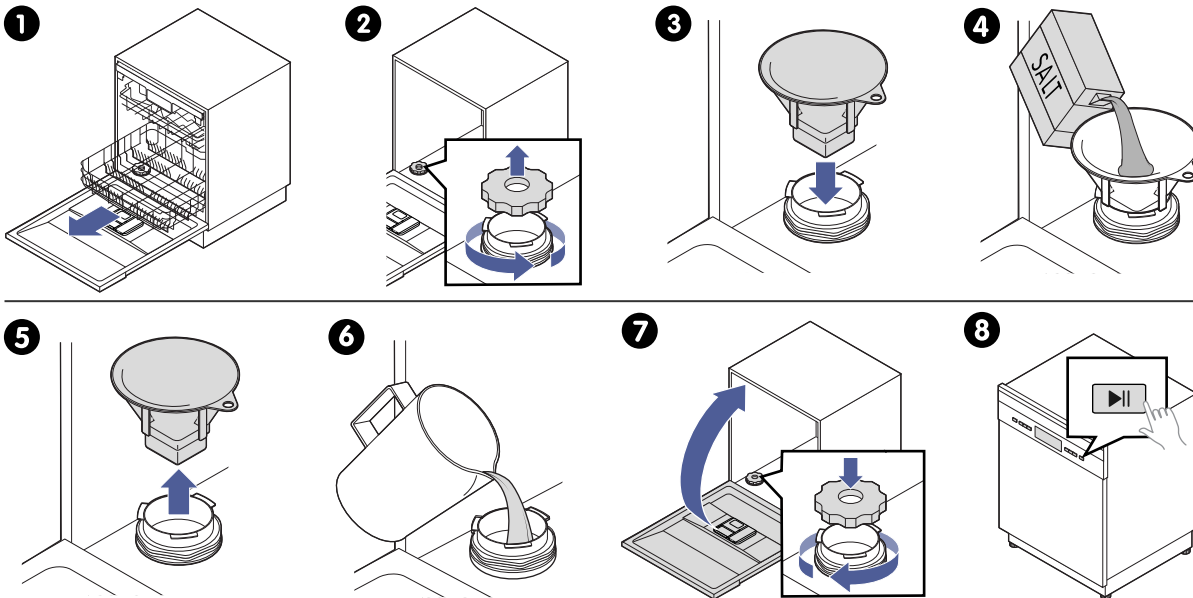
Add salt to the water softener



Do this when the  indicator light is lit.



CAUTION!

- Only use salt specifically intended for dishwasher use. Any other type of salt, especially table salt, will damage the water softener.
- Only fill with salt immediately before running a cycle. Salt or salty water that is spilled and left on the bottom of the machine for some time may cause corrosion. If salt is spilled, run the Rapid programme to remove the spill.



1. Remove the lower basket.
2. Unscrew the cap.
3. Place the end of the funnel into the hole.
4. Add about 1.5 kg of dishwasher salt.
5. Remove the funnel from the hole.
6. Fill the salt container to its maximum limit with water. (It is normal for a small amount of water to come out of the salt container).
NOTE! Only fill the salt container with water the very first time you add salt to the water softener.
7. Screw the cap back on tightly and close the door.
The  indicator light is no longer lit.
NOTE! Depending on how well the salt dissolves, the  indicator light may still be lit even though the salt container has been filled.
8. Immediately start a short washing programme.
CAUTION! After adding salt to the water softener you should immediately start a washing programme. Otherwise the filter system, pump or other important parts of the machine may be damaged by salty water.

Run an empty load

Make sure that the machine is installed properly.

1. Plug in the power cord.
2. Open the water tap.
3. Start a programme.
NOTE! Do not put any dishes in the machine.

The machine is ready for use when the programme has been completed.

Innehåll

LÄS DETTA!	16
SÄKERHET	17
Varningar.....	17
Avsedd användning	17
Säkerhet för barn och personer med funktionsnedsättningar	17
Allmän säkerhet	18
Säkerhet under installation	18
Säkerhet under användning	19
Säkerhet under underhåll	20
Avfallshantering	20
SNABBSTART	21
LÄR KÄNNA DIN DISKMASKIN	22
Reglage	22
Symboler på displayen	22
Diskmedelsfack och spolglansfack	22
Använd barnlåset.....	23
Program	23
Alternativ, inställningar och funktioner	23
INNAN FÖRSTA ANVÄNDNING	24
Justera vattenmjukgörarens nivå.....	24
Fyll på salt i vattenmjukgöraren.....	25
Kör en tom maskin.....	25

LÄS DETTA!

**VARNING!**

Läs säkerhetsinformationen och alla instruktioner innan du installerar eller använder denna produkt.

Hitta de fullständiga instruktionerna

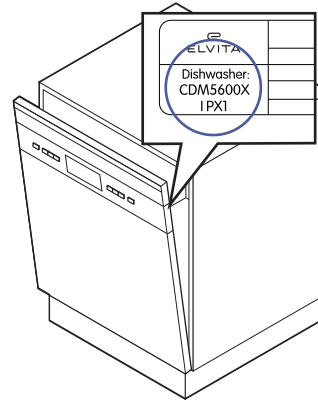
Du hittar den fullständiga och senaste användarinformationen för din produktmodell på webbplatsen www.elvita.se. Detta inkluderar information om installation, användning, underhåll och felsökning. Du behöver modellkoden för att söka efter informationen.

Hitta modellkoden

Modellkoden är tryckt på en etikett på produkten.

**OBS!**

Denna produkt och etiketttexten är exempel. Din produkt och text kan ha ett annat utseende och innehåll.



SÄKERHET

Läs instruktionerna noga innan du installerar och använder produkten. Spara instruktionerna och förvara dem nära produkten för framtida bruk. Alla garantier förlorar sin giltighet om dessa instruktioner inte efterlevs.

Varningar

**VARNING!**

Används när det finns risk för personskada.

**VAR FÖRSIKTIG!**

Används när det finns risk för skada på produkten.

**OBS!**

Allmän information som du bör känna till.



Hjälpsamma tips som du kan ha nytta av.

Avsedd användning

Denna produkt är endast avsedd för inomhusbruk i ett hushåll eller en hushållsmiljö som t.ex.:

- av personal i köksavdelningen hos affärer, kontor och andra arbetsplatser;
- hos lantbruk;
- av gäster på hotell, motell och liknande typer av boendemiljö;
- på bed and breakfast, vandrarhem och liknande.

Säkerhet för barn och personer med funktionsnedsättningar

**VARNING!**

Låt endast följande grupper använda produkten om de övervakas eller har instruerats om hur man använder maskinen på ett säkert sätt. De måste ha förstått de faror som är förknippade därmed.

- Barn. (Barn under 8 års ålder måste ständigt övervakas.)
- Personer med nedsatt fysisk, sensorisk eller mental förmåga.
- Personer som saknar erfarenhet eller kunskap.

**VARNING!**

- Barn får inte leka med maskinen.
- Barn får inte rengöra maskinen utan tillsyn.

**VARNING!**

Avlägsna förpackningsmaterialet eftersom det kan vara farligt för barn.

**VARNING!**

Förvara diskmedel utom räckhåll för barn. Diskmedel är korrosivt.

Allmän säkerhet

**WARNING!**

- Installation och reparation får endast utföras av en behörig tekniker.
- Vissa diskmedel är starkt alkaliska. De kan vara mycket farliga vid förtäring. Undvik kontakt med hud och ögon. Försäkra dig om att barn är på säkert avstånd från diskmaskinen när luckan är öppen.
- Stäng av vattentillförseln om du upptäcker överflöde. Kontakta sedan en servicetekniker.
- Avlägsna eventuellt vatten i diskmaskinens botten från överfyllning eller ett mindre läckage, innan du startar om diskmaskinen.
- Placera inte tunga föremål på luckan och luta dig inte mot luckan när denna är öppen. Produkten kan välta framåt.

**WARNING!**

Lämna inte luckan i öppet läge eftersom personer riskerar att snubbla på den.

**WARNING!**

Risk för elstötar!

- Koppla bort nätspänningen innan du påbörjar installationen av diskmaskinen. Underlåtenhet att göra detta kan medföra elstötar och dödsfall.
- Doppa inte apparaten, strömsladden eller stickkontakten i vatten eller annan vätska.
- Försäkra dig om att produkten är korrekt jordad. Vid eventuella funktionsfel eller haverier minimerar jordningen risken för elstötar (jordledaren leder bort strömmen). Denna produkt har en stickkontakt med en jordledare.

**VAR FÖRSIKTIG!**

- Diska endast plastföremål om de är märkta med "Kan maskindiskas" eller liknande märkning. Se tillverkarens rekommendationer för plastföremål som inte har denna märkning.
- Använd endast diskmedel och spolglans som rekommenderas för en diskmaskin.
- Använd inte såpa, tvättmedel eller handdiskmedel i diskmaskinen.
- Sitt eller stå inte på diskmaskinens lucka eller dess korgar, och utför inga ingrepp på dem.
- Manipulera inte reglagen medan du sätter in den disk som ska diskas.

Säkerhet under installation

**WARNING!**

- Elektronisk utrustning måste installeras av kvalificerad personal.
- Slangar måste installeras av kvalificerad personal.

**WARNING!**

Risk för elstötar!

- Koppla bort nätspänningen innan du påbörjar installationen av produkten. Underlåtenhet att göra detta kan medföra elstötar och dödsfall.
- Stickkontakten får endast anslutas till lämpligt vägguttag som är installerat och jordat enligt lokala lagar och föreskrifter.
- Felaktig anslutning av jordledaren ökar risken för elstötar.
- Kontakta en behörig elektriker eller servicerepresentant om du är osäker på om produkten är korrekt jordad.
- Ändra inte stickkontakten som medföljer produkten om den inte passar i vägguttaget.
- Låt en behörig elektriker installera ett korrekt vägguttag.
- Försäkra dig om att diskmaskinen är korrekt jordad innan du använder den.
- Använd inte en förlängningssladd eller stickkontaktsadapter tillsammans med denna produkt.
- Strömsladdens jordning får under inga omständigheter klippas av eller avlägsnas.
- Se till att du inte skadar nätsladden under installationsarbetet.

**VAR FÖRSIKTIG!**

- Det ingående vattentrycket ska vara mellan 0,04 MPa och 1 MPa.
- Produkten ska anslutas till vattentillförseln med hjälp av nya slangar. Återanvänd inte några gamla slangar.
- Om vattenledningarna är nya eller inte har använts under en lägre tid, måste du spola genom dem med vatten och försäkra dig om att vattnet är rent. Detta är nödvändigt för att säkerställa att vatteninloppet inte är igensatt, vilket kan orsaka att produkten skadas.
- Om diskhon har spolmunstycke som är anslutet till samma vattenledning som diskmaskinen, kan säkerhetstillförselslangen spricka. Koppla i så fall bort säkerhetstillförselslangen och plugga igen hålet.

**VAR FÖRSIKTIG!**

Produkten får inte luta mer än 2°.

Säkerhet under användning

**WARNING!**

Använd inte diskmaskinen om dess hölje är felaktigt monterat.

**WARNING!**

- Försäkra dig om att inga föremål sticker ut genom korgens botten.
- Placera spetsiga knivar och redskap med spetsen nedåt i korgen eller lägg dem horisontellt.

**WARNING!**

Förvara diskmedel utom räckhåll för barn. Diskmedel är korrosivt.

**WARNING!**

- Det är farligt att öppna luckan under pågående program (risk för brännskador genom varm vattenånga).
- Öppna luckan mycket försiktigt om diskmaskinen är igång. Risk för att vatten sprutar ut.
- Föremål kan vara heta när du tar ut disken. Vänta i 15 minuter efter att programmet avslutats innan du tar ut glas eller bestick.

**VAR FÖRSIKTIG!**

Om vattenledningarna är nya eller inte har använts under en lägre tid, måste du spola genom dem med vatten och försäkra dig om att vattnet är rent. Detta är nödvändigt för att säkerställa att vatteninloppet inte är igensatt, vilket kan orsaka att produkten skadas.

**VAR FÖRSIKTIG!**

- Använd endast diskmedel som är särskilt avsedd för diskmaskiner. Håll ditt diskmedel rent och torrt.
- Vänta med att fylla på pulverdiskmedel i diskmedelsfacket tills det är dags att starta diskmaskinen.
- Använd endast spolglans som är avsedd för diskmaskiner. Fyll inte spolglansfacket med några andra ämnen (t.ex. rengöringsmedel för diskmaskiner, flytande diskmedel). Risk för skador på produkten.
- Använd endast salt som är avsett för diskmaskiner. Användning av alla andra typer av salt som inte är avsedda för användning i diskmaskin (särskilt bordssalt) skadar vattenmjukgöraren. Tillverkarens garanti omfattar inte skador som uppkommer på grund användning av olämpligt salt.
- Fyll endast på salt innan du kör ett program. På så sätt förhindrar du att eventuellt spill av salt eller saltvatten blir kvar på maskinens botten och orsakar korrosion.

**VAR FÖRSIKTIG!**

- Spänn inte filtren för mycket när du rengör dem. Sätt tillbaka filtren i rätt ordning, i annat fall riskerar smuts att komma in i systemet och orsaka igensättning.
- Använd inte diskmaskinen om filtren är borttagna. Felaktigt monterade filter kan försämra produktens prestanda och skada disken och redskapen.

**VAR FÖRSIKTIG!**

Placera vassa föremål så att de inte skadar luckans tätning.



Att diska med en diskmaskin förbrukar mindre energi och vatten än att diska för hand, under förutsättning att du använder maskinen för hushållsändamål och följer instruktionerna i denna handbok.

Säkerhet under underhåll



VARNING!

- Installation och reparation får endast utföras av en behörig tekniker.
- Reparationer som inte utförs av en kvalificerad tekniker medför att produktens användare riskerar allvarliga personskador.
- Alla skador som uppkommer på grund av reparationer som inte utförts av en kvalificerad tekniker, omfattas inte av garantin.
- Om strömsladden är skadad ska den bytas av tillverkaren, tillverkarens servicerepresentant eller en person med samma kvalifikation.



VARNING!

Koppla bort produkten från elnätet innan du rengör eller underhåller produkten.



VAR FÖRSIKTIG!

- Använd inte spraybaserade rengöringsmedel eftersom vatten riskerar tränga in i luckans lås och elektriska komponenter.
- Använd inte lösningsmedel eller slipande rengöringsprodukter för att rengöra diskmaskinens utsida eller gummidelar.
- Använd inte slipande rengöringsprodukter eller skursvampar på enhetens utsida, eftersom ytan riskerar att repas. Vissa typer av pappershanddukar kan också repa eller lämna märken på ytan.



VAR FÖRSIKTIG!

- Spänn inte filtren för mycket när du rengör dem. Sätt tillbaka filtren i rätt ordning, i annat fall riskerar smuts att komma in i systemet och orsaka igensättning.
- Använd inte diskmaskinen om filtren är borttagna. Felaktigt monterade filter kan försämra produktens prestanda och skada disken och redskapen.

Avfallshantering



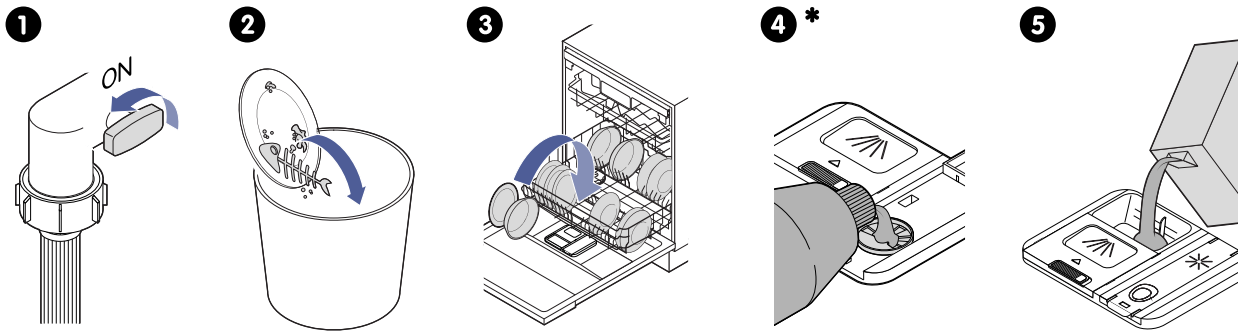
Klipp av nätsladden och försäkra dig om att luckans lås är inaktiverat innan du avfallshanterar produkten. Kassera förpackningen på ett miljövänligt sätt. Återvinn förpackningen i enlighet med lokala lagar och föreskrifter, för att reducera förbrukningen av råmaterial och mark som används för deponering av avfall.

Denna produkt är märkt i enlighet med WEEE-direktivet 2012/19/EU om avfall från elektrisk och elektronisk utrustning. Symbolen på produkten eller på dess förpackning anger att produkten inte ska behandlas som vanligt hushållsavfall. Istället ska den lämnas till tillämpligt insamlingsställe för återvinning av elektrisk och elektronisk utrustning.

Genom att avfallshandera denna produkt på korrekt sätt förhindrar du att den inverkar negativt på miljö och människors hälsa, vilket hade varit fallet om den inte avfallshanterades. För mer information om återvinning av produkten, kontakta lokala myndigheter som ansvarar för avfallshantering eller butiken där du köpte produkten.

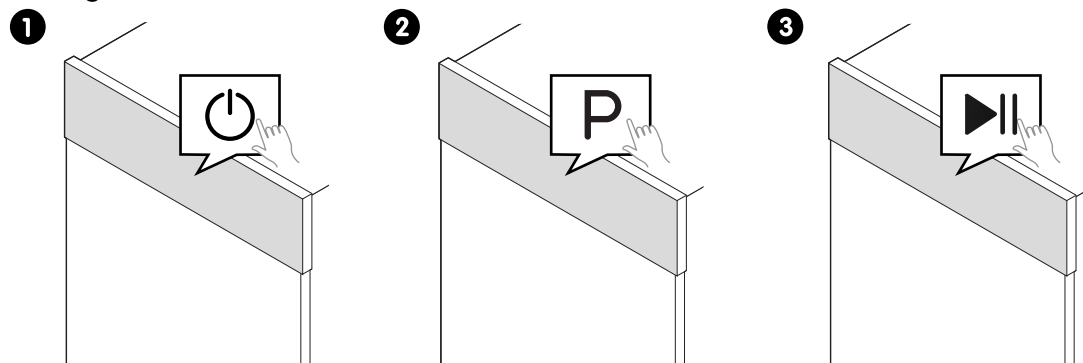
SNABBSTART

Före disk

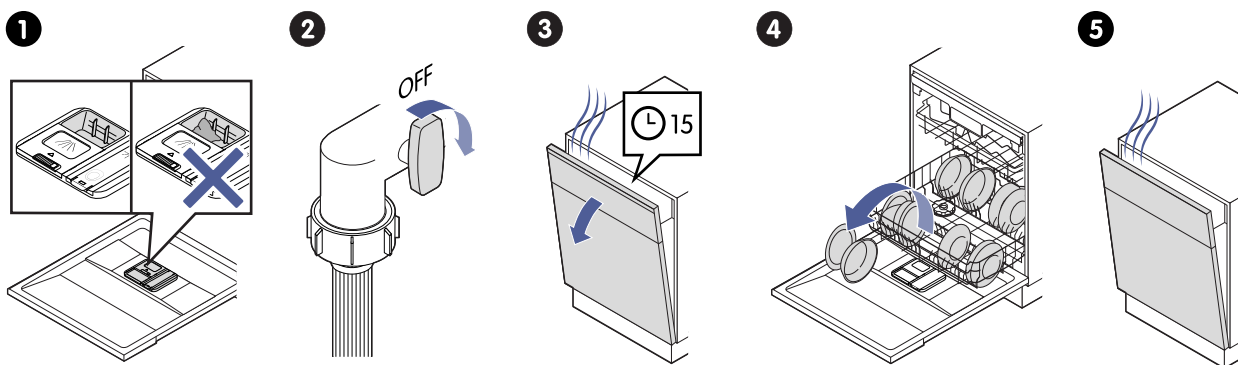


* Tillval

Diskning

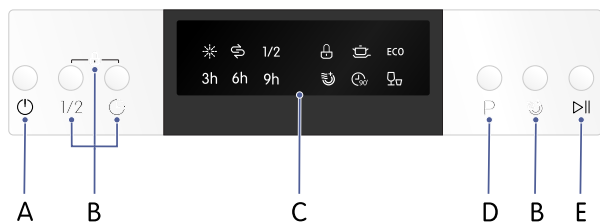


Efter disk



LÄR KÄNNA DIN DISKMASKIN

Reglage



- A. På/Av
- B. Alternativ, inställningar och funktioner
- C. Display
- D. Programväljare
- E. Start/Paus

Symboler på displayen



Spolglans



Salt



Halvfylld diskmaskin



Barnlås



Fördröjning 3h



Fördröjning 6h



Fördröjning 9h



Extra torkning



Intensiv



ECO

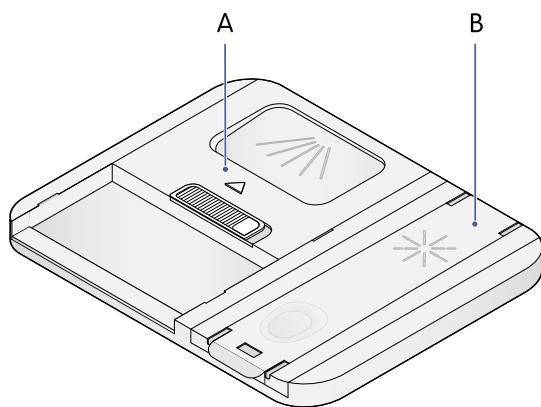


90 min



Snabb

Diskmedelsfack och spolglansfack



- A. Diskmedelsfack
- B. Spolglansfack







VARNING!

Använd inte såpa, tvättmedel eller handdiskmedel i diskmaskinen. Använd endast diskmedel och spolglans som är särskilt avsedd för diskmaskiner.

Använd barnlåset

Aktivera barnlåset för att undvika att barn använder maskinen av misstag.

1. Tryck och håll in  och $\frac{1}{2}$ i 3 sekunder tills  indikatorlampan lyser. Nu är alla knappar utom  låsta.
2. Tryck och håll in  och $\frac{1}{2}$ i 3 sekunder för att avaktivera barnlåset.
OBS! Barnlåset avaktiveras inte om strömmen stängs av och slås på.

Program

Program	Beskrivning
90 min	För normalt smutsad disk som behöver snabbdiskas.
ECO	Det rekommenderade programmet för normalt smutsad disk, eftersom det reducerar energi- och vattenförbrukningen.
Intensiv	För mycket smutsigt porslin och normalt smutsade grytor, kokkärl, fat osv., med ingrodda matrester.
Snabb	Ett kortare program för lätt smutsad disk som inte behöver torkning.

Alternativ, inställningar och funktioner



Auto öppen

Öppnar diskmaskinens lucka automatiskt när programmet avslutats. Detta förbättrar torkningens resultat. Denna funktion är alltid aktiv och kan inte stängas av.



Barnlås

Förhindrar att maskinen används av misstag. Se avsnitt "Använd barnlåset", sida 23.



Fördröjning

Fördröjer tvättprogrammets start med en angiven tid. Maximal fördröjning är 9 timmar.



Extra torkning

Ger disken en extra grundlig torkning.



Halvfylld diskmaskin

Sparar energi och vatten. Kan användas när hälften eller mindre än hälften av diskmaskinens utrymme används.

INNAN FÖRSTA ANVÄNDNING



VAR FÖRSIKTIG!

Försäkra dig om att diskmaskinen är korrekt installerad innan du börjar diska.

Du måste tillsätta salt till vattenmjukgöraren för att ta bort mineraler och salter från vattnet, som kan påverka diskmaskinens funktion på ett negativt sätt. Se avsnitt "Fyll på salt i vattenmjukgöraren", sida 25.

Justera vattenmjukgörarens nivå

Ställ in vattenmjukgörarens nivå i enlighet med vattnets hårdhet i ditt område. Se följande tabell för att välja rätt nivå. Din lokala vattenleverantör kan informera dig om vattnets hårdhet.

Vattnets hårdhet				Vattenmjukgörare nivå	Regenereringshändelse*	Saltförbrukning (gram/program)
°dH (tyska hårdhetsgrader)	°fH (franska hårdhetsgrader)	°Clarke (engelska hårdhetsgrader)	mmol/l			
0 - 5	0 - 9	0 - 6	0 - 0,94	H1 - indikatorlampan lyser	Ingen regenerering	0
6 - 11	10 - 20	7 - 14	1,0 - 2,0	H2 - indikatorlampan lyser	10	9
12 - 17	21 - 30	15 - 21	2,1 - 3,0	H3 - och indikatorlamporna lyser	5	12
18 - 22	31 - 40	22 - 28	3,1 - 4,0	H4 - indikatorlampan lyser	3	20
23 - 34	41 - 60	29 - 42	4,1 - 6,0	H5 - och indikatorlamporna lyser	2	30
35 - 55	61 - 98	43 - 69	6,1 - 9,8	H6 - och indikatorlamporna lyser	1	60

*Regenerering sker en gång per X programsekvenser.



OBS!

Varje cykel med en regenereringsåtgärd ökar vattenförbrukningen med 2,0 liter vatten, energiförbrukningen med 0,02 kWh och programmets varaktighet med 4 minuter.

1. Stäng luckan.
2. Tryck på för att slå på maskinen.
3. Inom 60 sekunder, trycker och håller du in **P** i mer än 5 sekunder för att öppna inställningsläget för vattenmjukgörare.
4. Tryck på **P** för att bläddra mellan de tillgängliga nivåerna på vattenmjukgörare (**H1**, **H2**, **H3** (standard), **H4**, **H5**, **H6**).
5. Tryck på för att bekräfta och lämna inställningsläget för vattenmjukgörare.

Inställningsläget för vattenmjukgörare avslutas om du inte ändrar inställningarna under 5 sekunder.

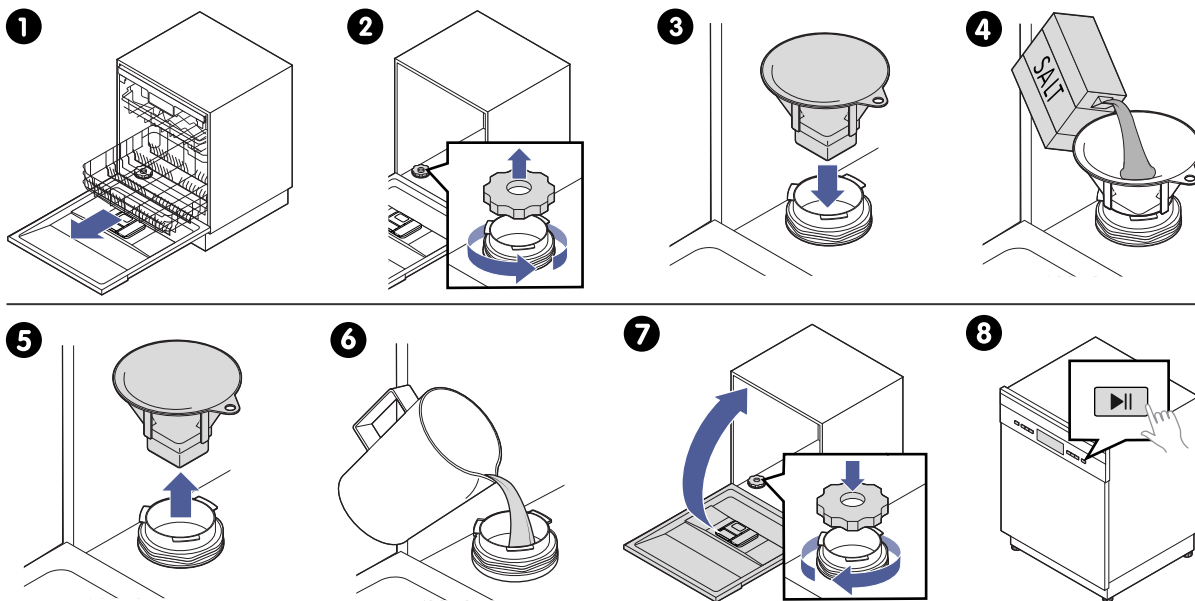
Fyll på salt i vattenmjukgöraren



Gör detta när  indikatorlampan lyser.



VAR FÖRSIKTIG!

- Använd endast salt som är avsett för diskmaskiner. Andra typer av salt, särskilt bordssalt, skadar vattenmjukgörare.
- Fyll endast på salt precis innan du kör ett program. Salt eller saltvatten som spillts ut eller blir kvar på maskinens botten en längre tid kan orsaka korrosion. Om salt har spillts ut, kör du Snabb-programmet för att ta bort spillet.



1. Avlägsna den nedre korgen.
2. Skruva av locket.
3. Sätt trattens ände i hålet.
4. Häll på ca. 1,5 kg diskmaskinsalt.
5. Ta bort tratten från hålet.
6. Fyll saltbehållaren till den maximala nivån med vatten. (Det är normalt att lite vatten kommer ut från saltbehållaren).
OBS! Fyll endast saltbehållaren med vatten första gången du tillsätter salt till vattenmjukgöraren.
7. Skruva tillbaka locket ordentligt och stäng luckan.
 indikatorn lyser inte längre.
OBS! Det kan hända att  indikatorlampan fortfarande lyser även om saltbehållaren är fylld med salt, vilket beror på hur bra saltet löser sig.
8. Starta omgående ett kort diskprogram.
VAR FÖRSIKTIG! Efter att du hällt salt till vattenmjukgöraren måste du omgående starta ett diskprogram. Om du inte gör det riskerar filtersystemet, pumpen eller andra viktiga komponenter i maskinen skadas av det salta vattnet.

Kör en tom maskin

Säkerställ att maskinen har installerats korrekt.

1. Anslut strömsladden.
2. Öppna vattenkranen.
3. Starta ett program.
OBS! Lägg inte någon disk i maskinen.

Maskinen är redo för användning när programmet har slutförts.

Innhold

LES DETTE!	28
SIKKERHET	29
Advarsler	29
Bruksområde	29
Sikkerhet for barn og personer med nedsatt funksjonsevne	29
Generell sikkerhet	30
Sikkerhet under montering	30
Sikkerhet under bruk	31
Sikkerhet under vedlikehold	32
Avfallshåndtering	33
HURTIGSTART	34
BLI KJENT MED OPPVASKMASKINEN	35
Betjeningselementer	35
Symboler på displayet	35
Oppvaskmiddeldispenser og skyllemiddeldispenser	35
Bruke barnesikringen	36
Programmer	36
Alternativer, innstillinger og funksjoner	36
FØR FØRSTE GANGS BRUK	37
Justere vannmykernivået	37
Tilsette salt i vannmykneren	38
Kjør maskinen uten last	38

LES DETTE!

**ADVARSEL!**

Les sikkerhetsinformasjonen og alle anvisningene før du installerer eller bruker dette produktet.

Finn alle anvisningene

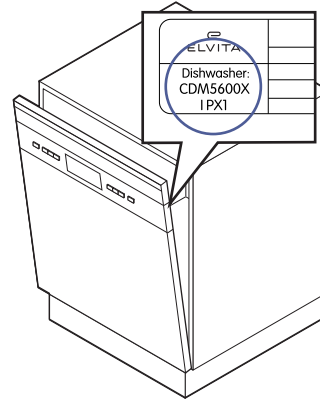
Du finner all brukerinformasjon, inkludert oppdateringer, for din produktmodell på nettsiden www.elvita.se. Informasjonen omfatter installasjon, bruk, vedlikehold og feilsøking. Du trenger modellkoden for å søke etter informasjon.

Finne modellkoden

Modellkoden er trykt på en etikett på produktet.

**NB:**

Dette produktet og teksten på etiketten er et eksempel. Produktet ditt og teksten på etiketten kan se annerledes ut og ha annet innhold.



SIKKERHET

Les anvisningene nøye før du installerer produktet og tar det i bruk. Ta vare på anvisningene og oppbevar dem i nærheten av produktet for fremtidig bruk. Alle garantier blir ugyldige hvis disse anvisningene ikke følges.

Advarsler

**ADVARSEL!**

Brukes hvis det er risiko for personskade.

**OBS!**

Brukes hvis det er risiko for skade på produktet.

**NB:**

Generell informasjon som du må være oppmerksom på.



Nyttige tips som kan være til hjelp.

Bruksområde

Dette produktet er bare beregnet for innendørs bruk i husholdninger og i miljøer som:

- kjøkkenområder for ansatte i butikker, kontorer og andre arbeidsmiljøer;
- gårder;
- av gjester på hoteller, moteller og tilsvarende overnattingssteder;
- pensjonater.

Sikkerhet for barn og personer med nedsatt funksjonsevne.

**ADVARSEL!**

Følgende grupper skal kun bruke produktet hvis de er under tilsyn eller har fått anvisninger om hvordan produktet brukes på en trygg måte. De må forstå farene som er involvert.

- Barn. (Barn under 8 år skal være under kontinuerlig tilsyn.)
- Personer med nedsatte fysisk, sansemessig eller mental kapasitet.
- Personer med manglende erfaring og kunnskap.

**ADVARSEL!**

- Ikke la barn leke med produktet.
- Ikke la barn rengjøre produktet uten tilsyn.

**ADVARSEL!**

Fjern emballasjen, ettersom den kan være farlig for barn.

**ADVARSEL!**

Oppbevar oppvaskmiddel utilgjengelig for barn. Maskinoppvaskmiddel er etsende.

Generell sikkerhet

**ADVARSEL!**

- Installasjon og reparasjoner må kun utføres av kvalifiserte teknikere.
- Enkelte maskinoppvaskmidler er sterkt basiske. De kan være ekstremt farlige hvis de svelges. Unngå kontakt med hud og øyne, og pass på at barn ikke er i nærheten av oppvaskmaskinen når døren er åpen.
- Steng av hovedvannforsyningen før du kontakter service hvis det skulle oppstå en oversvømmelse.
- Hvis det er vann i bunnen av oppvaskmaskinen på grunn av overfylling eller en liten lekkasje, bør vannet fjernes før oppvaskmaskinen startes på nytt.
- Du må ikke plassere tunge gjenstander på eller stå på døren når den er åpen. Produktet kan tippe forover.

**ADVARSEL!**

La ikke døren være åpen, ettersom den kan representere snublefare.

**ADVARSEL!**

Risiko for elektrisk støt!

- Koble fra strømforsyningen før oppvaskmaskinen installeres. Manglende overholdelse av denne anvisningen kan medføre død eller elektrisk støt.
- Ikke senk enheten, strømledningen eller støpselet i vann eller væske.
- Dette produktet må jordes. Hvis det skulle oppstå en funksjonsfeil eller svikt, reduserer jordingen fare for elektrisk støt ved at den gir en bane med minst motstand for elektrisk strøm. Dette produktet er utstyrt med en plugg med en jordledning.

**OBS!**

- Ikke vask plastgjenstander hvis de ikke er merket med "tåler oppvaskmaskin" eller tilsvarende. Se produsentens anbefalinger i forbindelse med plastgjenstander uten denne merkingen.
- Bruk bare oppvask- og skyllemidler som er anbefalt for oppvaskmaskiner.
- Bruk aldri såpe og heller ikke tøyvaskemiddel for maskin eller håndvask i oppvaskmaskinen.
- Ikke sitt eller stå på døren eller trådkurven til oppvaskmaskinen eller bruk den formål den ikke er beregnet for.
- Ikke manipuler betjeningselementene når oppvask settes inn i maskinen.

Sikkerhet under montering

**ADVARSEL!**

- Elektrisk utstyr må installeres av fagfolk.
- Slinger bør installeres av fagfolk.

**ADVARSEL!**

Risiko for elektrisk støt!

- Koble fra strømforsyningen før produktet installeres. Manglende overholdelse av denne anvisningen kan medføre død eller elektrisk støt.
- Støpselet må kobles til en egnet kontakt som er installert og jordet i samsvar med alle gjeldende lover og forskrifter.
- Feil tilkobling av jordledningen kan føre til fare for elektrisk støt.
- Rådfør deg med en kvalifisert elektriker eller servicerepresentant hvis du er usikker på om produktet er riktig jordet.
- Ikke endre støpselet som fulgte med produktet hvis det ikke passer i kontakten.
- Få en kvalifisert elektriker til å installere en egnet kontakt.
- Forsikre deg om at oppvaskmaskinen er riktig jordet før bruk.
- Bruk ikke skjøteledning eller adapterstøpsel til dette produktet.
- Kutt eller koble aldri under noen omstendigheter jordforbindelsen fra strømledningen.
- Pass på å unngå å bøye eller klemme strømledningen.

**OBS!**

- Innløpsvanntrykket må være mellom 0,04 MPa og 1 MPa.
- Produktet må kobles til vannforsyningen ved bruk av nye slanger. Bruk ikke gamle slanger om igjen.
- Hvis vannrørene er nye eller ikke har vært i bruk på lang tid, skal du la vannet renne for å kontrollere at vannet er klart. Dette tiltaket er nødvendig for å unngå fare for at vanninntaket blir blokkert og produktet skades.
- Hvis oppvaskkummen har dusjstråle som forsynes av en slange som er koblet til det samme vannrøret som oppvaskmaskinen, kan sikkerhetsforsyningsslangen sprekke. Hvis oppvaskkummen har en slik, anbefales det at sikkerhetsforsyningsslangen kobles fra og hullet plugges igjen.

**OBS!**

Produktet må ikke vippe mer enn 2°.

Sikkerhet under bruk

**ADVARSEL!**

Bruk ikke oppvaskmaskinen hvis ikke panelene er satt ordentlig på.

**ADVARSEL!**

- Pass på at ingen gjenstander stikker ut gjennom bunnen av kurven.
- Kniver og andre redskaper med skarp spiss må plasseres med spissen ned i kurven eller legges horisontalt.

**ADVARSEL!**

Oppbevar oppvaskmiddel utilgjengelig for barn. Maskinoppvaskmiddel er etsende.

**ADVARSEL!**

- Det er farlig å åpne døren mens et program pågår, ettersom du kan bli skåldet av varm damp.
- Åpne døren svært forsiktig hvis oppvaskmaskinen er i gang. Det er fare for at vann spruter ut.
- Oppvasken som tas ut, er varm. Vent 15 minutter etter at programmet er slutt før du tar ut glass eller bestikk.

**OBS!**

Hvis vannrørene er nye eller ikke har vært i bruk på lang tid, skal du la vannet renne for å kontrollere at vannet er klart. Dette tiltaket er nødvendig for å unngå fare for at vanninntaket blir blokkert og produktet skades.

**OBS!**

- Bruk bare oppvaskmiddel som er spesielt beregnet for oppvaskmaskiner. Sørg for at oppvaskmiddelet holdes friskt og tørt.
- Ikke fyll oppvaskmiddel i pulverform på dispenserens før du er klar til å starte maskinen.
- Bruk bare anerkjente skyllemidler som er beregnet for oppvaskmaskin. Fyll aldri andre midler (for eksempel oppvaskmaskinrens, flytende såpe) på skyllemiddeldispenseren. Det skader produktet.
- Bruk bare salt som er beregnet spesielt for oppvaskmaskiner. Salt som ikke er beregnet for oppvaskmaskiner, spesielt bordsalt, skader vannmykneren. Produsentgarantien dekker ikke skader som skyldes bruk av uegnet salt.
- Fyll bare på salt før et program startes. Dette hindrer at saltkorn eller saltholdig vann som eventuelt blir sølt, blir værende i bunnen av maskinen en stund og eventuelt fører til rust.

**OBS!**

- Ikke stram filterne for mye når filterne rengjøres. Fest filterne godt igjen, i riktig rekkefølge, ellers kan grov skitt komme inn i systemet og føre til en blokkering.
- Bruk aldri oppvaskmaskinen uten filterne. Feil fremgangsmåte ved skifte av filterne kan redusere produktets ytelse og skade tallerkener, redskaper osv.

**OBS!**

Plasser skarpe gjenstander slik at de ikke kan skade dørtetningen.



Maskinoppvask forbruker mindre energi enn oppvask for hånd, forutsatt at du bruker maskinen til husholdningsformål og følger anvisningene i denne håndboken.

Sikkerhet under vedlikehold

**ADVARSEL!**

- Installasjon og reparasjoner må kun utføres av kvalifiserte teknikere.
- Eventuelle reparasjoner utført av andre enn kvalifiserte teknikere utsetter brukeren av produktet for fare for personskader.
- Garantien dekker ikke eventuelle garantikrav grunnet reparasjoner utført av personer som ikke er kvalifiserte teknikere.
- Hvis ledningen blir skadd, må den skiftes av produsenten, produsentens servicerepresentant eller en tilsvarende kvalifisert person, for å unngå fare.

**ADVARSEL!**

Koble produktet fra strømforsyningen før rengjøring av og vedlikehold på produktet.

**OBS!**

- For å unngå at vann kommer inn i dørlåsen og elektriske komponenter skal det ikke brukes rengjøringspray av noe slag.
- Bruk ikke løsemidler eller rengjøringsmidler med slipeeffekt for å rengjøre oppvaskmaskinen utvendig og rengjøre gummideler i oppvaskmaskinen.
- Bruk aldri slipende rengjøringsmidler eller skruesvamper på de utvendige flatene, ettersom slike kan lage riper i overflaten. Enkelte papirhåndklær kan også lage riper eller merker på overflaten.

**OBS!**

- Ikke stram filterne for mye når filterne rengjøres. Fest filterne godt igjen, i riktig rekkefølge, ellers kan grov skitt komme inn i systemet og føre til en blokkering.
- Bruk aldri oppvaskmaskinen uten filterne. Feil fremgangsmåte ved skifte av filterne kan redusere produktets ytelse og skade tallerkener, redskaper osv.

Avfallshåndtering



Før du kaster produktet, skal du kutte strømledningen og sikre at dørlåsen er deaktivert.

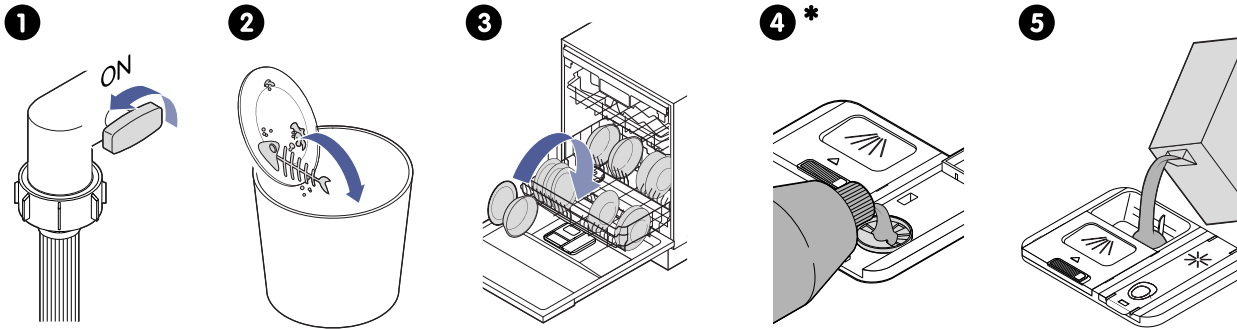
Kast emballasjen på en miljøvennlig måte. Gjenvinning av emballasje i henhold til gjeldende bestemmelser kan redusere forbruket av råmaterialer og avfallsmengden.

Dette produktet er merket i samsvar med EU-direktiv 2012/19/EU om kassering av elektriske og elektroniske produkter (WEEE). Symbolet på produktet eller på emballasjen angir at produktet ikke skal behandles som husholdningsavfall. Det skal i stedet leveres til et egnet returpunkt for resirkulering av elektrisk og elektronisk utstyr.

Ved å sørge for at produktet kasseres som det skal, bidrar du til hindre eventuell skade på miljø og mennesker, noe som kan skje hvis du kasserer det på annen måte. Kontakt lokale myndigheter med ansvar for avfallshåndtering, renovasjonsselskapet eller butikken der du kjøpte produktet hvis du ønsker mer informasjon om resirkulering av dette produktet.

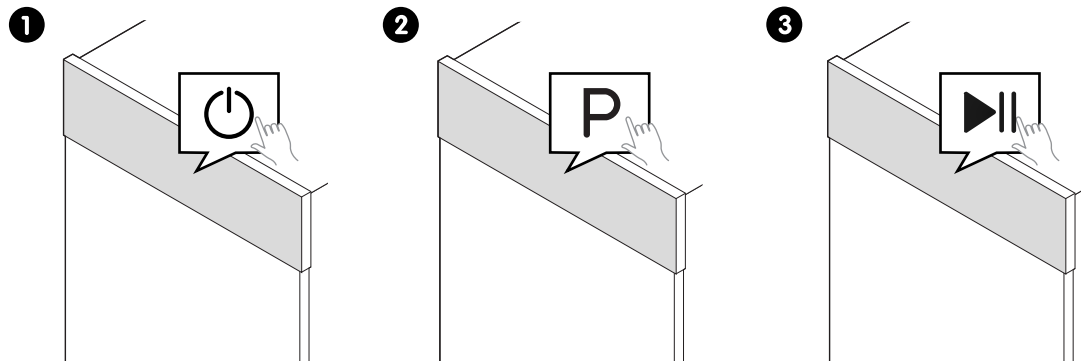
HURTIGSTART

Før oppvask

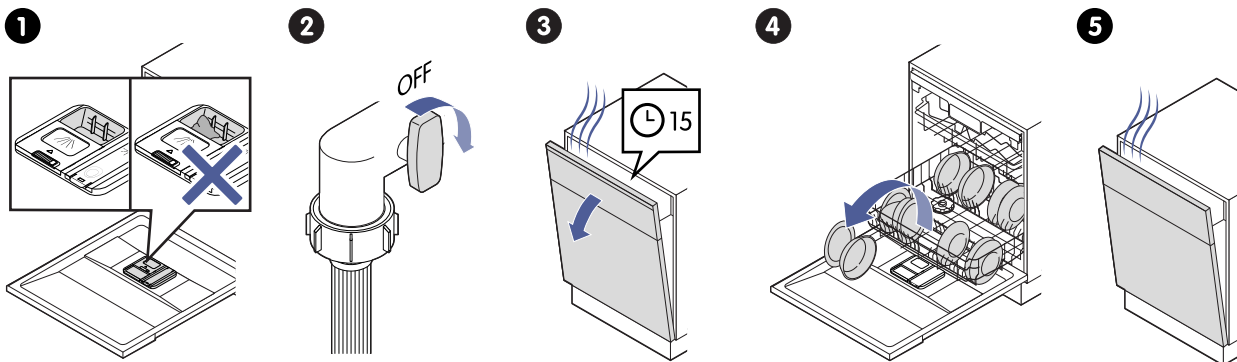


* Valgfritt

Oppvask

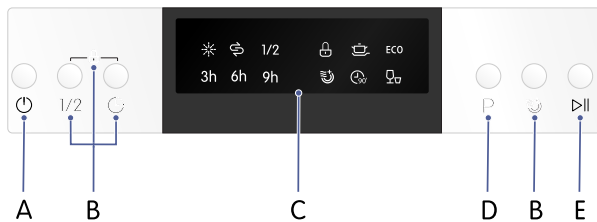


Etter oppvask



BLI KJENT MED OPPVASKMASKINEN

Betjeningselementer



- A. På/Av
- B. Alternativer, innstillinger og funksjoner
- C. Display
- D. Programvelger
- E. Start/Pause

Symboler på displayet



Skyllemiddel



Salt



Halv last



Barnesikring



Forsinkelse 3 t



Forsinkelse 6 t



Forsinkelse 9 t



Ekstra tørking



Intensiv



ECO

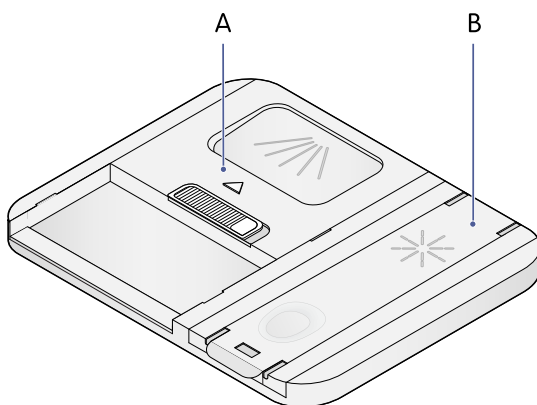


90 min



Hurtig

Oppvaskmiddeldispenser og skyllemiddeldispenser



- A. Oppvaskmiddeldispenser
- B. Skyllemiddeldispenser







ADVARSEL!

Bruk ikke såpe og heller ikke tøyvaskemiddel for maskin eller håndvask i oppvaskmaskinen. Bruk bare oppvaskmiddel og skyllemiddel som er spesielt beregnet for oppvaskmaskiner.

Bruke barnesikringen

Aktiver barnesikringen for å unngå at produktet betjenes utilsiktet av barn.

1. Trykk på  og $\frac{1}{2}$ i tre sekunder, til -indikatorlampen tennes.
Alle knappene unntatt  er nå låst.
2. Trykk på  og $\frac{1}{2}$ i tre sekunder for å deaktivere barnesikringen.
NB: Barnesikringen deaktiveres når produktet slås av og på igjen.

Programmer

Program	Beskrivelse
90 min	For normalt skitten oppvask som trenger en rask vask.
ECO	De anbefalte programmet for normalt skitten oppvask, ettersom det reduserer energi- og vannforbruket.
Intensiv	For svært skittent steintøy og normalt skitne gryter, panner, tallerkener osv, med matrester som sitter fast.
Hurtig	En kortere vask for litt skitten oppvask som ikke trenger tørking.

Alternativer, innstillinger og funksjoner



Åpne automatisk

Oppvaskmaskindøren åpnes automatisk når programmet er slutt. Dette gir bedre tørkeresultat. Denne funksjonen er alltid aktiv og kan ikke slås av.



Barnesikring

Hindrer at maskinen brukes utilsiktet. Se del "Bruke barnesikringen", side 36.



Forsinkelse

Utsetter starten av vaskeprogrammet med et spesifisert tidsrom. Maksimal utsettelse er 9 timer.



Ekstra tørking

Tørker ekstra grundig.



Halv last

Sparer strøm og vann. Kan brukes når halvparten eller under halvparten av plassen i oppvaskmaskinen er i bruk.

FØR FØRSTE GANGS BRUK



OBS!

Forsikre deg om at oppvaskmaskinen er riktig montert før vask.

Du må tilsette salt i vannmykneren for å fjerne mineraler og salt som kan svekke oppvaskmaskinens funksjon, fra vannet. Se del "Tilsette salt i vannmykneren", side 38.

Justere vannmyknernivået

Still inn vannmyknernivået i samsvar med hardheten på vannet i ditt område. Velg egnet nivå ved hjelp av tabellen nedenfor. De lokale vannmyndighetene kan gi deg informasjon om hardheten til vannet i området.

Vannhardhet				Vannmyknernivå	Regenereringsfrekvens*	Saltforbruk (gram/program)
Tysk °dH	Fransk °fH	British °Clarke	mmol/l			
0 - 5	0 - 9	0 - 6	0 - 0,94	H1 - -indikator-lampen lyser	Ingen regenerering	0
6 - 11	10 - 20	7 - 14	1,0 - 2,0	H2 - -indikator-lampen lyser	10	9
12 - 17	21 - 30	15 - 21	2,1 - 3,0	H3 - - og -indikator-lampen lyser	5	12
18 - 22	31 - 40	22 - 28	3,1 - 4,0	H4 - -indikator-lampen lyser	3	20
23 - 34	41 - 60	29 - 42	4,1 - 6,0	H5 - - og -indikator-lampen lyser	2	30
35 - 55	61 - 98	43 - 69	6,1 - 9,8	H6 - - og -indikator-lampen lyser	1	60

*Regenerering utløses hver X. programsekvens.



NB:

Hver gang regenerering kjøres under et program, øker vannforbruket med 2,0 liter, strømforbruket med 0,02 kWh og programvarigheten med 4 minutter.

1. Lukk døren.
2. Trykk på for å slå på maskinen.
3. Trykk på **P** i mer enn fem sekunder innen 60 sekunder for å komme til modusen for vannmyknerinnstilling.
4. Trykk på **P** for å bla gjennom de tilgjengelige vannmyknernivåene (**H1**, **H2**, **H3** (standard), **H4**, **H5**, **H6**).
5. Trykk på for å bekrefte og avslutte modus for innstilling av vannmykner.

Du går ut av modusen for innstilling av vannmykner hvis du ikke endrer innstillingene i løpet av fem sekunder.

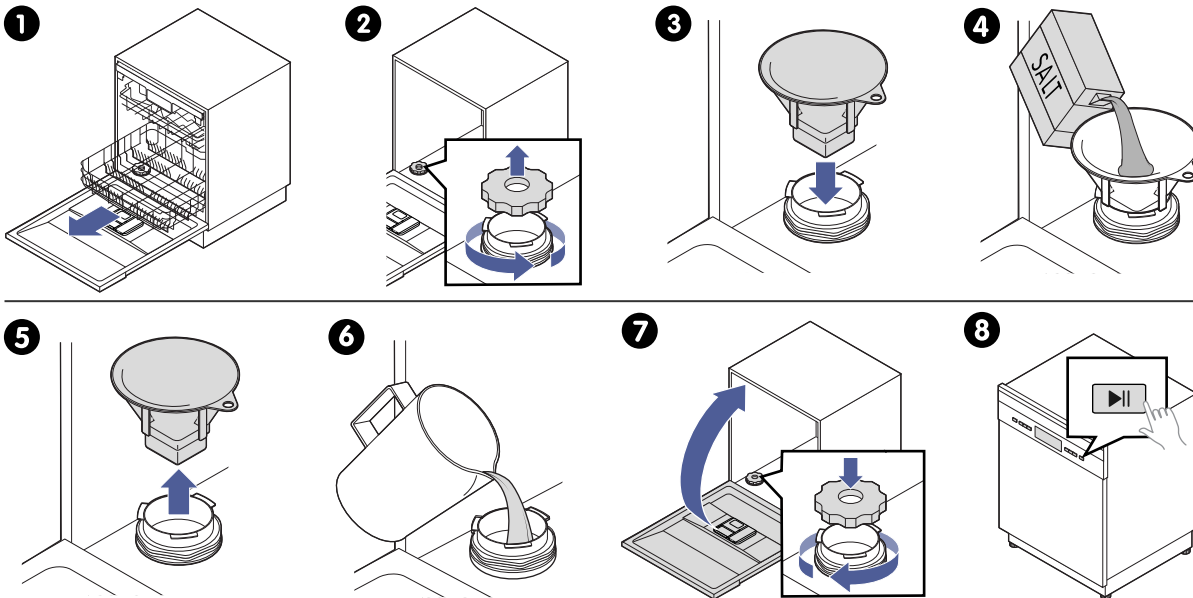
Tilsette salt i vannmykneren



Gjør dette når -indikatorlampen lyser.



OBS!

- Bruk bare salt som er beregnet spesielt for oppvaskmaskiner. Andre typer salt, spesielt bordsalt, skader vannmykneren.
- Fyll bare på salt like før et program startes. Saltkorn eller saltholdig vann som eventuelt blir sølt og blir værende i bunnen av maskinen en stund, kan føre til rust. Kjør Hurtig-programmet for å fjerne saltet hvis det har blitt sølt salt.



1. Fjern den nedre kurven.
2. Skru av lokket.
3. Sett enden av trakten i hullet.
4. Tilsett omtrent 1,5 kg salt for oppvaskmaskiner.
5. Fjern trakten fra hullet.
6. Fyll saltbeholderen med vann helt til maksimumsgrensen. (Det er normalt at litt vann kommer ut av saltbeholderen.)
NB: Fyll bare saltbeholderen med vann den første gangen du tilsetter salt i vannmykneren.
7. Skru lokket godt på igjen, og lukk døren.
-indikatorlampen lyser ikke lenger.
NB: Avhengig av hvor godt saltet løses opp kan -indikatorlampen fortsatt lyse selv om saltbeholderen har blitt fylt.
8. Start et kort vaskeprogram umiddelbart.
OBS! Etter at du har tilsatt salt i vannmykneren, bør du umiddelbart starte et vaskeprogram. Ellers kan det hende at filtersystemet, pumpen eller andre viktige deler i maskinen blir skadet av saltholdig vann.

Kjør maskinen uten last

Forsikre deg om at maskinen er montert på riktig måte.

1. Sett inn strømledningen.
2. Åpne vannkranen.
3. Start et program.
NB: Ikke sett oppvask i maskinen.

Maskinen er klar til bruk når programmet er fullført.

Indhold

LÆS DETTE!	40
SIKKERHED	41
Påmindelser	41
Tilsluttet anvendelse.....	41
Sikkerhed for børn og handicappede.....	41
Generel sikkerhed	42
Sikkerhed ved installation	42
Sikkerhed ved brug	43
Sikkerhed ved vedligeholdelse	44
Bortskaffelse.....	44
HURTIG START	45
LÆR DIN OPVASKEMASKINE AT KENDE	46
Betjeningsknapper	46
Symboler på displayet	46
Sæbeskuffe og skyllemiddeldispenser	46
Brug børnesikringen.....	47
Programmer	47
Valgmuligheder, indstillinger og funktioner	47
INDEN FØRSTE ANVENDELSE	48
Juster afkalkningsmiddelniveauet	48
Tilsæt salt til afkalkningsmidlet.....	49
Kør en tom opvask.....	49

LÆS DETTE!

**ADVARSEL!**

Læs sikkerhedsoplysningerne og den fulde vejledning, inden du installerer eller bruger dette produkt.

Find den fulde vejledning

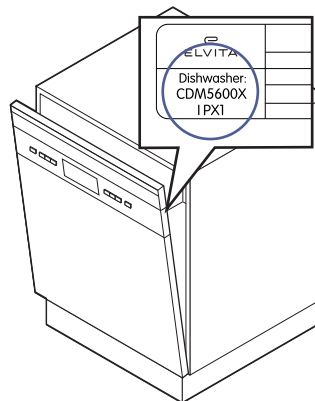
Du kan finde de komplette og nyeste brugeroplysninger til din produktmodel på www.elvita.se. Denne omfatter oplysninger om installation, brug, vedligeholdelse og fejlfinding. Du skal bruge modelkoden til at søge efter oplysningerne.

Find modelkoden

Modelkoden er trykt på en mærkat på maskinen.

**BEMÆRK!**

Denne maskine og mærkatteksten er eksempler. Maskinen og teksten kan se anderledes ud og have et andet indhold.



SIKKERHED

Læs nøje vejledningen før installation og brug af apparatet. Gem vejledningen, og opbevar den i nærheden af maskinen for nemt at kunne slå op i den. Alle typer garantier ugyldiggøres, hvis disse instruktioner ikke følges.

Påmindelser

**ADVARSEL!**

Anvendes, når der er risiko for personskader.

**FORSIGTIG!**

Anvendes, når der er risiko for beskadigelse af maskinen.

**BEMÆRK!**

Generelle oplysninger, som du skal være opmærksom på.



Nyttige tips, som kan være nyttige.

Tilsigtet anvendelse

Denne maskine er kun beregnet til indendørs brug i en husholdning eller husholdningsmiljø som f.eks.:

- medarbejderkøkkener i butikker, på kontorer og andre arbejdsmiljøer,
- staldbygninger,
- af gæster på hoteller, moteller og andre beboelsesmiljøer,
- bed and breakfast-miljøer.

Sikkerhed for børn og handicappede

**ADVARSEL!**

Lad kun følgende grupper benytte apparatet, hvis de er under opsyn eller har fået anvisning i brug af produktet på sikker vis. De bør forstå de involverede risici.

- Børn. (Børn under 8 år skal være under konstant opsyn).
- Personer med nedsatte fysiske, sensoriske eller mentale evner.
- Personer med manglende erfaring og kendskab.

**ADVARSEL!**

- Lad aldrig børn lege med apparatet.
- Rengøring må ikke udføres af børn uden opsyn.

**ADVARSEL!**

Fjern emballagen, da den kan være farlige for børn.

**ADVARSEL!**

Opvaskemidler skal opbevares, så børn ikke kan nå dem. Opvaskemidler er ætsende.

Generel sikkerhed



ADVARSEL!

- Montering og reparation må kun udføres af en uddannet montør.
- Nogle opvaskemidler er stærkt basiske. De kan være meget farlige, hvis de synkes. Undgå kontakt med hud og øjne, og hold børn på afstand af opvaskemaskinen, når lågen er åben.
- Hvis der opstår en overløb, skal du slukket for vandforsyningen, inden du tilkalder service.
- Hvis der er vand i bunden af opvaskemaskinen på grund af overfyldning eller en lille utæthed, skal vandet fjernes, inden opvaskemaskinen startes igen.
- Placer ikke tunge genstande på og stå ikke på lågen, når den er åben. Maskinen kan vippe forover.



ADVARSEL!

Lad ikke lågen stå åben, da det kan give risiko for, at maskinen vipper forover.



ADVARSEL!

Risiko for elektrisk stød!

- Slå strømmen fra, inden opvaskemaskinen installeres. Hvis det ikke sker, kan det medføre dødsfald eller elektrisk stød.
- Maskinen, strømkablet eller stikket må ikke nedsænkes i vand eller andre væsker.
- Maskinen skal være jordforbundet. Hvis der opstår en fejl eller nedbrud, reducerer en jordforbindelse risikoen for elektrisk stød ved at give strømmen en strømvej med mindst modstand. Denne maskine er udstyret med et stik til en jordledning.



FORSIGTIG!

- Vask ikke plastgenstande, medmindre de er markeret med "tåler maskinvask" eller lignende. For plastgenstande, der ikke har denne markering, skal du kontrollere producentens anbefalinger.
- Brug kun opvaskemidler og skyllemidler, der anbefales til brug i opvaskemaskine.
- Brug aldrig sæbe, vaskemiddel eller håndvaskemiddel i opvaskemaskinen.
- Opvaskemaskinens låge og stativ må ikke mishandles, siddes på eller stås på.
- Der må ikke pilles ved betjeningsknapperne, når der isættes genstande, der skal vaskes op.

Sikkerhed ved installation



ADVARSEL!

- Elektrisk udstyr skal monteres af fagfolk.
- Slinger skal monteres af fagfolk.



ADVARSEL!

Risiko for elektrisk stød!

- Slå strømmen fra, inden maskinen installeres. Hvis det ikke sker, kan det medføre dødsfald eller elektrisk stød.
- Stikket skal tilsluttes en velegnet stikkontakt, der er monteret og jordforbundet i henhold til alle love og bestemmelser.
- Forkert tilslutning af jordledningen kan medføre risiko for elektrisk stød.
- Kontakt en faglært elektriker eller servicerepræsentant, hvis der er tvivl, om maskinen er korrekt jordforbundet.
- Det stik, som følger med maskinen, må ikke ændres, hvis det ikke passer ind i stikkontakten.
- Få en faglært elektriker til at montere en korrekt stikkontakt.
- Kontroller, at opvaskemaskinen er korrekt jordforbundet inden brug.
- Brug ikke en forlængerledning eller et adapterstik til maskinen.
- Jordforbindelsen må under ingen omstændigheder afbrydes eller fjernes fra ledningen.
- Vær omhyggelig for at undgå at lave knæk på eller klemme ledningen.

**FORSIGTIG!**

- Vandets indløbstryk skal være mellem 0,04 MPa og 1 MPa.
- Maskinen skal tilsluttes til vandforsyningen med nye slanger. Genbrug ikke gamle slanger.
- Hvis vandrørene er nye eller ikke har været brugt i længere tid, skal du lade vandet løbe for at sikre, at vandet er klart. Denne foranstaltning er nødvendig for at undgå risiko for, at vandindløbet blokerer eller beskadiger maskinen.
- Hvis vasken har et bruserhoved til en slange, der er tilsluttet til det samme vandrør som opvaskemaskinen, kan sikkerhedsslangen revne. Hvis vasken er, anbefales det, at sikkerhedsslangen frakobles og hullet tilstoppes.

**FORSIGTIG!**

Maskinen må ikke vippe mere end 2 grader.

Sikkerhed ved brug

**ADVARSEL!**

Opvaskemaskinen må ikke betjenes, medmindre alle paneler sidder korrekt.

**ADVARSEL!**

- Der må ikke stikke ting ud gennem kurvens bund.
- Knive og andre redskaber med skarpe spidser skal placeres med spidsen nedad i kurven eller placeres vandret.

**ADVARSEL!**

Opvaskemidler skal opbevares, så børn ikke kan nå dem. Opvaskemidler er ætsende.

**ADVARSEL!**

- Det er farligt at åbne lågen midt i vasken, da du kan blive skoldet af varm damp.
- Åbn lågen forsigtigt, hvis opvaskemaskinen kører. Der er risiko for, at der sprøjter vand ud.
- De vaskede genstande er varme, når de tages ud. Vent 15 minutter efter, at programmet er færdigt, før du tager glas eller bestik ud.

**FORSIGTIG!**

Hvis vandrørene er nye eller ikke har været brugt i længere tid, skal du lade vandet løbe for at sikre, at vandet er klart. Denne foranstaltning er nødvendig for at undgå risiko for, at vandindløbet blokerer eller beskadiger maskinen.

**FORSIGTIG!**

- Brug kun opvaskemiddel, der er specifikt beregnet til opvaskemaskiner. Opbevar opvaskemidler frisk og tørt.
- Hæld ikke pulveropvaskemiddel i maskinen, før du er klar til at starte den.
- Brug kun mærkevareskyllemiddel, der er beregnet til opvaskemaskiner. Hæld aldrig andre stoffer (f.eks. rengøringsmiddel til opvaskemaskiner, flydende sæbe) i skyllemiddeldispenseren. Det beskadiger maskinen.
- Brug altid salt, der er specielt beregnet til opvaskemaskiner. Hvis der bruges andre typer salt, som ikke er beregnet til opvaskemaskiner, især bordsalt, beskadiges afkalkningsmidlet. Producentens garanti dækker ikke beskadigelse, som skyldes brug af salt, der ikke er beregnet til opvaskemaskiner.
- Påfyld kun salt, inden der startes en vask. Dette forhindrer, at der kommer saltkorn eller saltvand, som kan være spildt ved, at det har ligget i bunden af maskinen i noget tid, hvilket kan medføre korrosion.

**FORSIGTIG!**

- Når filtrene rengøres, må de ikke strammes for hårdt. Genmonter filtrene sikkert i den korrekte rækkefølge, ellers kan der komme grovkornede rester ind i systemet og medføre tilstopning.
- Brug aldrig opvaskemaskinen, hvis ikke filtrene sidder i. Forkert udskiftning af filtrene kan forringe maskinens ydeevne samt beskadige tallerkener og redskaber.

**FORSIGTIG!**

Placer skarpe genstande, så lågepakningen ikke beskadiges.



Opvask med denne opvaskemaskine bruger mindre strøm og mindre vand end vask i hånden, forudsat du bruger maskinen til hjemmebrug og følger vejledningen i denne manual.

Sikkerhed ved vedligeholdelse

**ADVARSEL!**

- Montering og reparation må kun udføres af en uddannet montør.
- Alle reparationer, der udføres af personer, der ikke er faglært montør, udsætter brugerne af maskinen for risiko for personskade.
- Ethvert garantikrav som følge af reparationer, der udføres af personer, der ikke er faglært montør, dækkes ikke af garantien.
- Hvis ledningen beskadiges, skal den udskiftes af producenten, producentens servicerepræsentant eller en tilsvarende autoriseret montør for at undgå fare.

**ADVARSEL!**

Maskinen må ikke tilsluttes strømmen, før maskinen er rengjort og vedligeholdt.

**FORSIGTIG!**

- For at undgå, at der trænger vand ind i lågelåsen og elektriske komponenter, må der ikke anvendes rengøringspray af nogen art.
- Brug ikke opløsningsmidler eller slibende rengøringsmidler til at rengøre maskinens yderside og gummidele.
- Brug aldrig slibende rengøringsmiddel eller skuresvampe på de udvendige overflade, da de kan ridse overfladen. Nogle køkkenruller kan også ridse eller give mærker på overfladen.

**FORSIGTIG!**

- Når filtrene rengøres, må de ikke strammes for hårdt. Genmonter filtrene sikkert i den korrekte rækkefølge, ellers kan der komme grovkornede rester ind i systemet og medføre tilstopning.
- Brug aldrig opvaskemaskinen, hvis ikke filtrene sidder i. Forkert udskiftning af filtrene kan forringe maskinens ydeevne samt beskadige tallerkener og redskaber.

Bortskaffelse



Før du bortskaffer maskinen, skal du klippe ledningen af og sikre, at lågelåsen er slået fra.

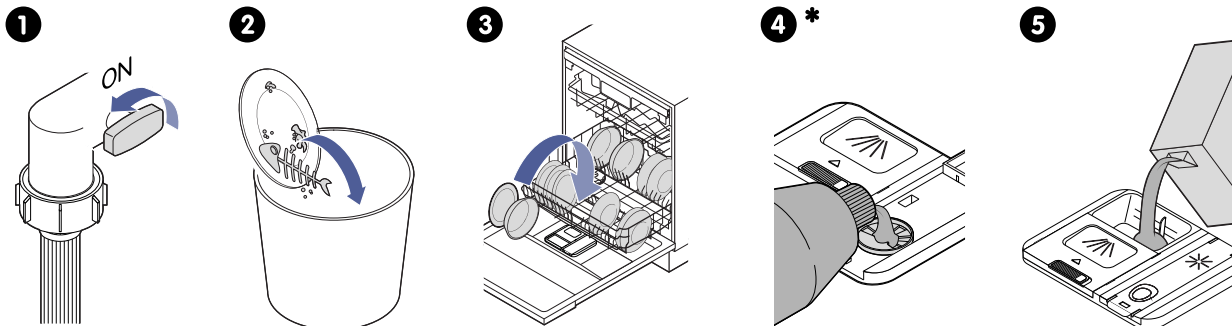
Bortskaf emballagen på miljøvenlig vis. Genanvendelse af emballage under overholdelse af nationale og lokale bestemmelser kan formindske forbruget af råmaterialer og mængde af affald på deponeringssteder.

Denne maskine er mærket i overensstemmelse med det Europæiske Direktiv 2012/19/EF for affald af elektrisk og elektronisk udstyr (WEEE). Symbolet på apparatet eller dets emballage angiver, at det ikke må behandles som husholdningsaffald. Det skal i stedet afleveres på en genbrugsstation, som er godkendt til håndtering af elektrisk og elektronisk udstyr.

Ved at bortskaffe produktet korrekt er du med til at forebygge negative effekter på miljøet og menneskers sundhed, som forkert affaldshåndtering af produktet ellers kunne forårsage. Du kan få flere oplysninger om bortskaffelse og genvinding af produktet ved at kontakte din kommune eller genbrugsstation, eller den forretning, hvor du købte produktet.

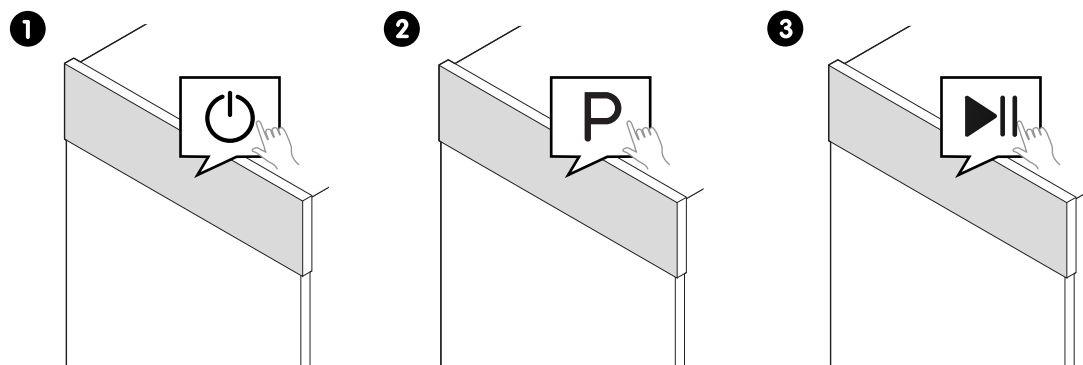
HURTIG START

Før vask

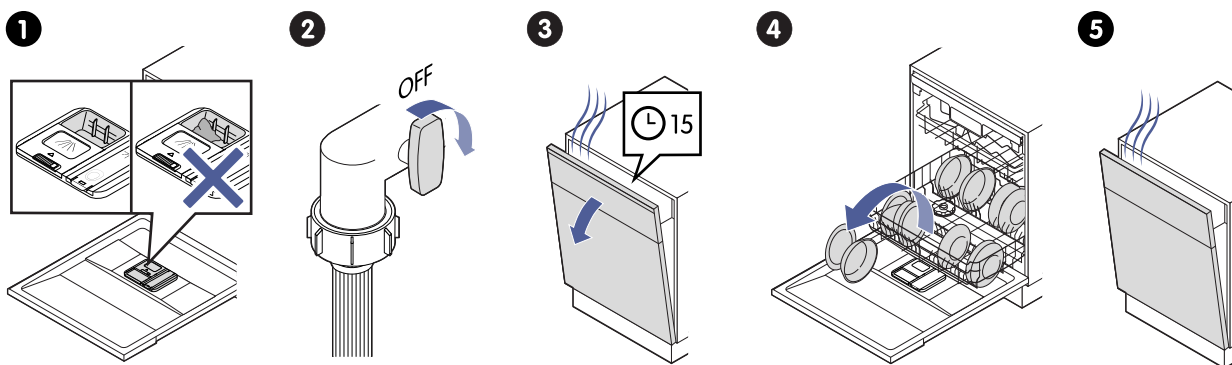


* Valgfri

Vasker

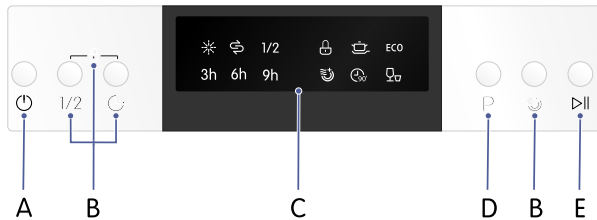


Efter vask



LÆR DIN OPVASKEMASKINE AT KENDE

Betjeningsknapper



- A. Til/fra
- B. Valgmuligheder, indstillinger og funktioner
- C. Display
- D. Programvælger
- E. Start/Pause

Symboler på displayet



Skyllemiddel



Salt



Halvt fyldt



Børnesikring



Forsinkelse 3t



Forsinkelse 6t



Forsinkelse 9t



Ekstra tørring



Intensiv



ECO

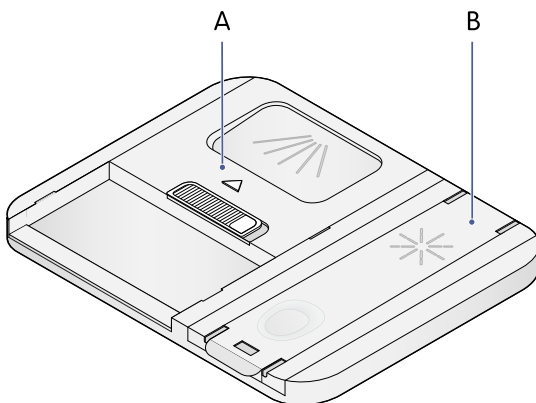


90 min.



Kvikvask

Sæbeskuffe og skyllemiddeldispenser



- A. Vaskemiddelautomat
- B. Skyllemiddeldispenser

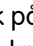
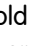
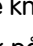



ADVARSEL!

Brug ikke sæbe, vaskemiddel eller håndvaskemiddel i opvaskemaskinen. Brug kun opvaskemiddel og skyllemiddel, der er specifikt beregnet til opvaskemaskiner.

Brug børnesikringen

Aktivér børnesikring for at undgå, at børn utilsigtet bruger produktet.

1. Tryk på og hold  og $\frac{1}{2}$ i 3 sekunder, indtil indikatoren  tændes. Alle knapper er nu låst, undtagen .
2. Tryk på og hold  og $\frac{1}{2}$ i 3 sekunder for at deaktivere børnesikringen.
BEMÆRK! Hvis produktet slukkes og tændes, deaktiveres børnesikringen.

Programmer

Program	Beskrivelse
90 min.	Til almindeligt beskidt opvask, der skal vaskes hurtigt op.
ECO	Det anbefalede program til normalt beskidt service, da det reducerer strøm- og vandforbruget.
Intensiv	Til meget beskidt service og normalt beskidte gryder, pander, service osv. med indtørrede madrester.
Kvikvask	En kortere vask til let beskidt service, der ikke skal tørres.

Valgmuligheder, indstillinger og funktioner



Åbn automatisk

Åbner automatisk opvaskemaskinens låge, når programmet er færdigt. Dette forbedrer tørringen. Denne funktion er altid aktiv og kan ikke slås fra.



Børnesikring

Forhindrer utilsigtet brug af maskinen. Se afsnit "Brug børnesikringen", side 47.



Forsinkelse

Forsinker starten af opvaskeprogrammet med et angivet tidsinterval. Den maksimale forsinkelse er 9 timer.



Ekstra tørring

Tørrer servicet ekstra grundigt.



Halvt fyldt

Sparer strøm og vand. Kan bruges, når halvdelen eller mindre end halvdelen af pladsen i opvaskemaskinen anvendes.

INDEN FØRSTE ANVENDELSE



FORSIGTIG!

Før du vasker op, skal du sørge for, at opvaskemaskinen er monteret korrekt.

Du skal tilsætte salt i afkalkningsmidlet for at fjerne mineraler og salte fra vandet, som har en skadelig virkning på opvaskemaskinens funktion. Se afsnit "Tilsæt salt til afkalkningsmidlet", side 49.

Juster afkalkningsmiddelniveauet

Indstil afkalkningsmiddelniveauet efter hårdheden af vandet i dit område. Se følgende tabel for at vælge det korrekte niveau. Din lokale vandforsyning kan oplyse dig om den lokale vandhårdhed.

Vandets hårdhed				Afkalknings- middelniveau	Regenererings- forekomst*	Saltforbrug (gram/cyklus)
Tysk °dH	Fransk °fH	Britisk °Clarke	mmol/l			
0 - 5	0 - 9	0 - 6	0 - 0,94	H1 - indikatorer er tændt	Ingen regenerering	0
6 - 11	10 - 20	7 - 14	1,0 - 2,0	H2 - indikatorer er tændt	10	9
12 - 17	21 - 30	15 - 21	2,1 - 3,0	H3 - og indikatorerne er tændt	5	12
18 - 22	31 - 40	22 - 28	3,1 - 4,0	H4 - indikatorer er tændt	3	20
23 - 34	41 - 60	29 - 42	4,1 - 6,0	H5 - og indikatorerne er tændt	2	30
35 - 55	61 - 98	43 - 69	6,1 - 9,8	H6 - og indikatorerne er tændt	1	60

*Regenerering sker for hver X programsekvens.



BEMÆRK!

Hver cyklus med en regenereringsoperation øger vandforbruget med 2,0 liter vand, energiforbruget med 0,02 kWh og programvarigheden med 4 minutter.

1. Luk lågen.
2. Tryk på for at tænde for maskinen.
3. Inden for 60 sekunder skal du trykke på og holde **P** i mere end 5 sekunder for at åbne opsætningen for afkalkningsmiddel.
4. Tryk på **P** for at gennemgå de tilgængelige afkalkningsmiddelniveauer (**H1**, **H2**, **H3** (standard), **H4**, **H5**, **H6**).
5. Tryk på for at bekræfte og afslutte opsætningen af afkalkningsmiddel.

Du afslutter opsætningen af afkalkningsmiddel, hvis du lader indstillingerne være uændret i 5 sekunder.

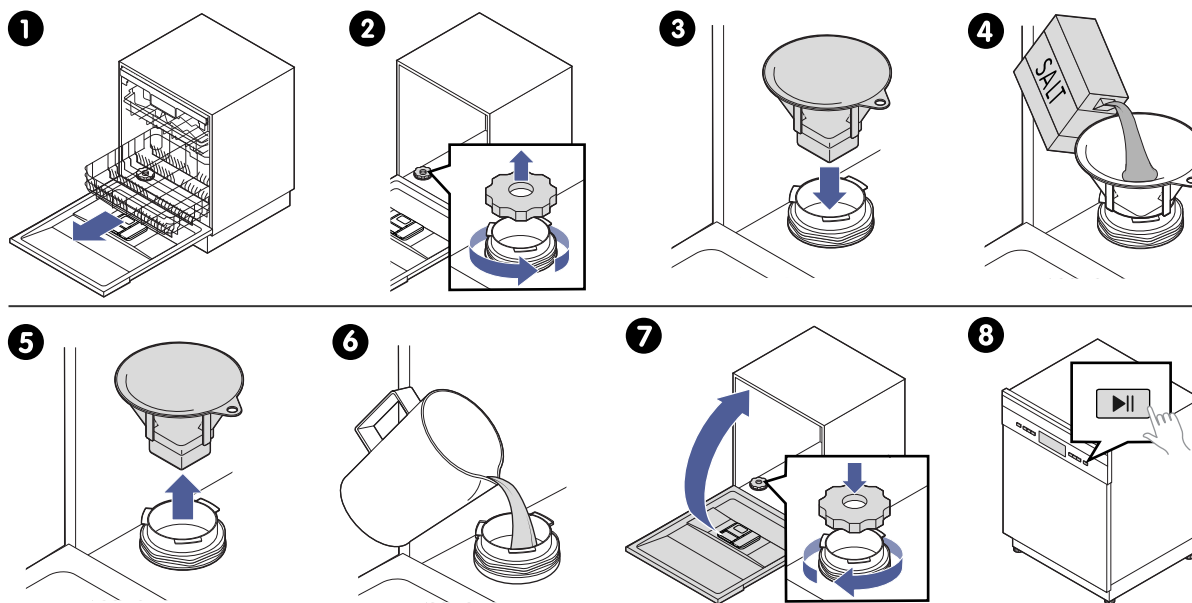
Tilsæt salt til afkalkningsmidlet



Gør dette, når indikatoren  er tændt.



FORSIGTIG!

- Brug altid salt, der er specielt beregnet til opvaskemaskiner. Alle andre typer salt, især bordsalt, beskadiger afkalkningsmidlet.
- Påfyld kun salt, lige inden der startes en vask. Salt eller saltvand, som kan være spildt ved, at det har ligget i bunden af maskinen i noget tid, kan medføre korrosion. Hvis der spildes salt, skal du køre Kvikvask-programmet for at fjerne saltet.



1. Tag den nederste kurv ud.
2. Skru låget af.
3. Placer tragten i hullet.
4. Tilsæt omkring 1,5 kg salt til opvaskemaskiner.
5. Fjern tragten fra hullet.
6. Fyld saltbeholderen helt op med vand. (Det er normalt, at der kommer lidt vand ud af saltbeholderen).
BEMÆRK! Fyld kun saltbeholderen med vand den første gang, du tilsætter salt til afkalkningsmidlet.
7. Skru låget solidt på igen, og luk lågen.
Indikatoren  er ikke længere tændt.
BEMÆRK! Afhængigt af, hvor godt saltet opløses, lyser indikatoren  måske stadig, selvom saltbeholderen er blevet fyldt.
8. Start et kort vaskeprogram med det samme.
FORSIGTIG! Når du har tilsat salt til afkalkningsmidlet, bør du straks starte et vaskeprogram. Ellers kan saltvandet beskadige filtersystemet, pumpen eller andre vigtige dele af maskinen.

Kør en tom opvask

Sørg for, at maskinen er korrekt installeret.

1. Tilslut strømledningen.
2. Åbn for vandhanen.
3. Start et program.
BEMÆRK! Sæt ikke noget service ind i maskinen.

Maskinen er klar til brug, når programmet er fuldført.

Sisällysluettelo

LUE TÄMÄ!	52
TURVALLISUUS	53
Huomautukset.....	53
Aiottu käyttötarkoitus.....	53
Lasten ja vajaakykyisten henkilöiden turvallisuus	53
Yleinen turvallisuus.....	54
Turvallisuus asennuksen aikana	54
Turvallisuus käytön aikana	55
Turvallisuus huollon aikana	56
Hävittäminen.....	56
PIKAOPAS	57
ASTIANPESUKONEESEEN TUTUSTUMINEN	58
Säätimet	58
Näytön symbolit	58
Pesuaineen annostelija ja huuhtelukirkasteen annostelija	58
Käytä lapsilukkoa.....	59
Ohjelmat.....	59
Lisävalinnat, asetukset ja toiminnot.....	59
ENNEN ENSIMMÄISTÄ KÄYTTÖKERTAA	60
Säädä vedenpehmentimen määrää	60
Lisää suolaa vedenpehmentimeen	61
Käytä konetta tyhjänä.....	61

LUE TÄMÄ!



VAROITUS!

Lue turvallisuustiedot ja ohjeet kokonaisuudessaan ennen tämän tuotteen asentamista tai käyttämistä.

Löydä ohjeet kokonaisuudessaan

Täydät ja uusimmat käyttöohjeet tuotemallillesi löytyvät verkkosivulta www.elvita.se. Tiedot sisältävät yksityiskohtaiset tiedot asentamisesta, käytöstä, huollosta ja vianmäärityksestä. Tarvitset mallikoodia tietojen löytämiseen.

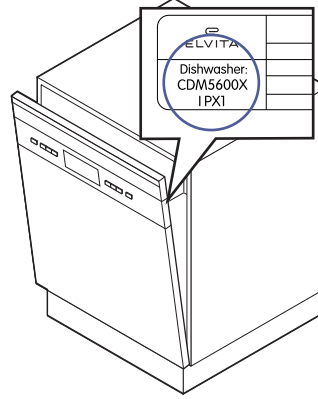
Etsi mallikoodi

Mallikoodi on painettu tuotteessa olevaan kilpeen.



HUOMAA!

Tämä tuote ja merkinnän teksti ovat esimerkkejä. Tuotteesi ja tekstisi voivat olla ulkoasultaan ja sisällöltään erilaisia.



TURVALLISUUS

Lue ohjeet huolellisesti ennen tuotteen asentamista ja käyttämistä. Säilytä ohjeet ja pidä ne lähellä tuotetta tulevaa käyttöä varten. Kaikki takuut raukeavat, jos näitä ohjeita ei noudateta.

Huomautukset

**VAROITUS!**

Käytetään, kun henkilövahinkojen riski on olemassa.

**OLE VAROVAINEN!**

Käytetään, kun tuotteen vahingoittumisen riski on olemassa.

**HUOMAA!**

Yleisiä tietoja, jotka käyttäjän tulee tietää.



Vinkkejä, joista voi olla hyötyä.

Aiottu käyttötarkoitus

Tämä tuote on tarkoitettu ainoastaan sisäkäyttöön kodeissa tai kodinomaisissa ympäristöissä, kuten:

- kauppojen, toimistojen ja muiden työpaikkojen henkilöstön keittiötilat
- maatilat
- asiakaskäyttö hotelleissa, motelleissa ja muissa majoitustiloissa
- aamiaismajoituspaikoissa.

Lasten ja vajaakykyisten henkilöiden turvallisuus

**VAROITUS!**

Anna seuraaviin ryhmiin kuuluvien henkilöiden käyttää tuotetta vain, jos he ovat valvonnassa tai jos heille on annettu ohjeet tuotteen turvallisista käyttötavoista. Heidän on ymmärrettävä käyttöön liittyvät vaarat.

- Lapset. (Alle 8-vuotiaiden lasten tulee olla jatkuvassa valvonnassa.)
- Henkilöt, joilla on rajallinen fyysinen, aisti- tai henkinen kapasiteetti.
- Henkilöt, joilla ei ole kokemusta ja osaamista.

**VAROITUS!**

- Älä anna lasten leikkiä tuotteella.
- Älä anna lasten puhdistaa tuotetta ilman valvontaa.

**VAROITUS!**

Poista pakkausmateriaali, sillä se voi olla vaarallista lapsille.

**VAROITUS!**

Pidä astianpesukoneen pesuaine poissa lasten ulottuvilta. Astianpesukoneen pesuaine on syövyttävää.

Yleinen turvallisuus



VAROITUS!

- Vain pätevä asentaja saa tehdä asennus- ja korjaustöitä.
- Jotkin astianpesukoneen pesuaineet ovat vahvasti emäksisiä. Ne voivat olla erittäin vaarallisia nieltynä. Vältä kosketusta ihoon ja silmiin ja pidä lapset poissa astianpesukoneen luota, kun luukku on auki.
- Ylivuototapauksissa sammuta veden saanti ennen huollon kutsumista.
- Jos astianpesukoneen pohjalla on vettä ylitäytön tai pienen vuodon vuoksi, vesi tulee poistaa ennen astianpesukoneen käynnistämistä uudelleen.
- Älä laita mitään painavaa auki olevan luukun päälle äläkä astu sen päälle. Tuote voi kaatua eteenpäin.



VAROITUS!

Älä jätä luukku auki, sillä se voi aiheuttaa kompastumisvaaran.



VAROITUS!

Sähköiskun vaara!

- Kytke virta pois ennen astianpesukoneen asentamista. Muuten seurauksena voi olla kuolema tai sähköisku.
- Älä upota laitetta, virtajohtoa tai pistoketta veteen tai muuhun nesteeseen.
- Tämä tuote on maadoitettava. Toimintahäiriön tai rikkoutumisen yhteydessä maadoitus vähentää sähköiskun riskiä tarjoamalla sähkövirralle pienimmän vastuksen tien. Tässä tuotteessa on maadoitusjohtimella varustettu pistoke.



OLE VAROVAINEN!

- Älä pese muovituotteita, ellei niissä ole merkintää "konepesun kestävä" tai vastaava. Tarkista valmistajan suositukset sellaisten muovituotteiden osalta, joissa ei ole tällaista merkintää.
- Käytä vain astianpesukoneessa käytettäväksi suositeltuja pesuaineita ja huuhtelukirkasteita.
- Älä koskaan käytä saippuaa, pyykinpesuainetta tai käsiastianpesuainetta astianpesukoneessa.
- Älä käytä astianpesukoneen luukku tai astiaritilää väärin tai istu tai seiso niillä.
- Älä koske säätimiin, kun lastaat pestäviä astioita.

Turvallisuus asennuksen aikana



VAROITUS!

- Ammattilaisten pitää asentaa sähkölaitteet.
- Ammattilaisten tulee asentaa letkut.



VAROITUS!

Sähköiskun vaara!

- Kytke virta pois ennen tuotteen asentamista. Muuten seurauksena voi olla kuolema tai sähköisku.
- Pistoke on kytkettävä asianmukaiseen pistorasiaan, joka on asennettu ja maadoitettu kaikkien paikallisten lakien ja säädösten mukaisesti.
- Maadoitusjohtimen virheellinen liitäntä voi aiheuttaa sähköiskun vaaran.
- Tarkista pätevältä sähköasentajalta tai huollon edustajalta, jos epäilet, onko tuote maadoitettu oikein.
- Älä tee tuotteen mukana toimitettuun pistokkeeseen muutoksia, jos se ei sovi pistorasiaan.
- Asennuta asianmukainen pistorasia valtuutetulla sähköasentajalla.
- Varmista ennen käyttöä, että astianpesukone on maadoitettu oikein.
- Tämän tuotteen kanssa ei saa käyttää jatkojohtoa tai pistokesovitinta.
- Älä milloinkaan leikkaa tai poista maadoitusliitäntää virtajohdosta.
- Älä taita virtajohtoa tai laita sitä puristuksiin.

**OLE VAROVAINEN!**

- Veden tulopaineen tulee olla välillä 0,04 MPa - 1 MPa.
- Tuote on liitettävä vesijohtoverkkoon uusilla letkuilla. Älä käytä vanhoja letkuja uudelleen.
- Jos vesiputket ovat uudet tai niitä ei ole käytetty pitkään aikaan, juoksuta vettä varmistaaksesi, että se on kirkasta. Tämä varotoimi on tarpeen vedenottoyhteen tukkeutumisen ja tuotteen vaurioitumisen riskin välttämiseksi.
- Jos pesualtaassasi on suihku, jonka vedenottoletku on liitetty samaan vesilinjaan astianpesukoneen kanssa, turvaletku saattaa haljeta. Jos pesualtaassasi on sellainen, on suositeltavaa irrottaa turvaletku ja tulpata reikä.

**OLE VAROVAINEN!**

Tuotetta ei saa kallistaa yli 2°.

Turvallisuus käytön aikana

**VAROITUS!**

Älä käytä astianpesukonetta, elleivät kaikki kotelon paneelit ole kunnolla paikallaan.

**VAROITUS!**

- Älä anna minkään työntyä korin pohjan läpi.
- Veitset ja muut terävät aterimet on laitettava koriin kärki alaspäin tai vaaka-asentoon.

**VAROITUS!**

Pidä astianpesukoneen pesuaine poissa lasten ulottuvilta. Astianpesukoneen pesuaine on syövyttävää.

**VAROITUS!**

- On vaarallista avata luukku kesken pesun, sillä kuuma höyry voi aiheuttaa palovammoja.
- Avaa luukku erittäin varovasti, jos astianpesukone on toiminnassa. Vaarana on veden roiskuminen ulos.
- Kun otat astioita pois, ne ovat kuumia. Odota 15 minuuttia ohjelman päättymisen jälkeen ennen lasien tai aterinten ottamista pois.

**OLE VAROVAINEN!**

Jos vesiputket ovat uudet tai niitä ei ole käytetty pitkään aikaan, juoksuta vettä varmistaaksesi, että se on kirkasta. Tämä varotoimi on tarpeen vedenottoyhteen tukkeutumisen ja tuotteen vaurioitumisen riskin välttämiseksi.

**OLE VAROVAINEN!**

- Käytä vain astianpesukonekäyttöön erityisesti tarkoitettua pesuainetta. Pidä pesuaine tuoreena ja kuivana.
- Älä laita jauhemaista pesuainetta annostelijaan ennen kuin olet valmis pesemään astioita.
- Käytä vain astianpesukoneille tarkoitettua merkkihuuhtelukirkastetta. Älä koskaan täytä huuhtelukirkasteen annostelijaa muilla aineilla (esim. astianpesukoneen puhdistusaine, nestemäinen astianpesuaine). Se vahingoittaa tuotetta.
- Käytä vain erityisesti astianpesukonekäyttöön tarkoitettua suolaa. Muunlaiset suolat, joita ei ole erityisesti tarkoitettu astianpesukonekäyttöön, erityisesti ruokasuola, vahingoittavat vedenpehennintä. Valmistajan takuu ei kata vaurioita, jotka aiheutuvat sopimattoman suolan käytöstä.
- Täytä suola vasta juuri ennen pesua. Tämä estää mahdollisesti läikkyneitä suolahippuja ja suolavettä jäämästä koneen pohjalle, mikä voi aiheuttaa korroosiota.

**OLE VAROVAINEN!**

- Kun puhdistat suodattimia, älä kiristä suodattimia liian tiukalle. Kiinnitä suodattimet kunnolla takaisin oikeassa järjestyksessä, sillä muuten karkeita roskia voi päästä järjestelmään ja aiheuttaa tukoksen.
- Älä koskaan käytä astianpesukonetta, kun suodattimet eivät ole paikallaan. Suodattimien virheellinen vaihtaminen voi heikentää tuotteen suorituskykyä ja vahingoittaa astioita ja aterimia.

**OLE VAROVAINEN!**

Laita terävät esineet niin, etteivät ne todennäköisesti vahingoita luukun tiivistettä.



Astioiden peseminen tällä astianpesukoneella kuluttaa vähemmän energiaa ja vettä kuin käsinpesu, mikäli käytät konetta kotitaloustarkoituksiin ja noudatat tämän ohjekirjan ohjeita.

Turvallisuus huollon aikana

**VAROITUS!**

- Vain pätevä asentaja saa tehdä asennus- ja korjaustöitä.
- Muiden kuin pätevien asentajien tekemät korjaukset aiheuttavat tuotteen käyttäjille henkilövahingon riskin.
- Muiden kuin pätevien asentajien tekemistä korjauksista johtuvat takuuvaateet eivät kuulu takuun piiriin.
- Vahingoittuneen virtajohdon saa turvallisuussyistä vaihtaa vain valmistaja tai valmistajan valtuuttama huoltoliike tai vastaava pätevä asiantuntija.

**VAROITUS!**

Irrota tuote verkkovirrasta ennen tuotteen puhdistus- ja huoltotöitä.

**OLE VAROVAINEN!**

- Jotta vettä ei pääsisi luukun lukkoon ja sähkökomponentteihin, älä käytä minkäänlaisia puhdistussuihkeita.
- Älä käytä liuottimia tai hankaavia puhdistustuotteita astianpesukoneen ulkopinnan ja kumiosien puhdistamiseen.
- Älä koskaan käytä hankaavia puhdistusaineita tai hankaussieniä ulkopintoihin, sillä ne voivat naarmuttaa pintaa. Myös jotkin paperipyyhkeet voivat naarmuttaa pintaa ja jättää siihen jälkiä.

**OLE VAROVAINEN!**

- Kun puhdistat suodattimia, älä kiristä suodattimia liian tiukalle. Kiinnitä suodattimet kunnolla takaisin oikeassa järjestyksessä, sillä muuten karkeita roskia voi päästä järjestelmään ja aiheuttaa tukoksen.
- Älä koskaan käytä astianpesukonetta, kun suodattimet eivät ole paikallaan. Suodattimien virheellinen vaihtaminen voi heikentää tuotteen suorituskykyä ja vahingoittaa astioita ja aterimia.

Hävittäminen



Ennen kuin hävität tuotteen, leikkaa virtajohto poikki ja varmista, että luukun lukko on poistettu käytöstä.

Hävitä pakkaus ympäristöystävällisesti. Kansallisten ja paikallisten määräysten mukainen pakkausten kierrättäminen voi vähentää raaka-aineiden kulutusta ja kaatopaikoille päätyvän jätteen määrää.

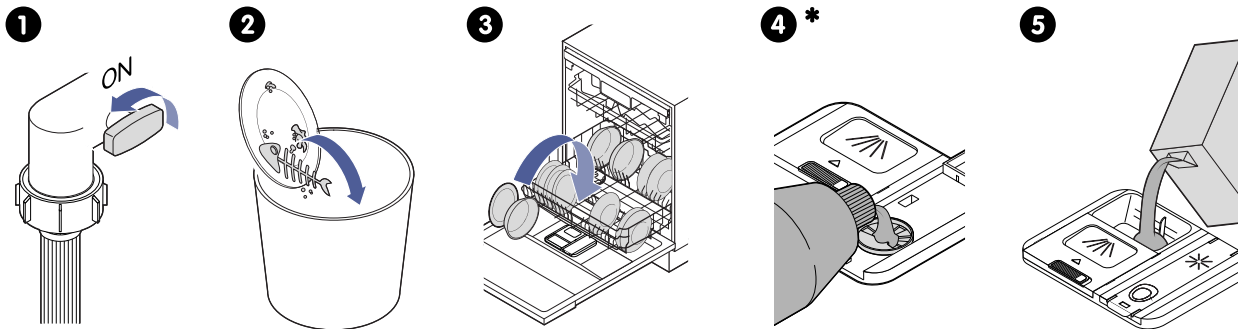
Tämä tuote on merkitty eurooppalaisen sähkö- ja elektroniikkalaiteromua koskevan direktiivin 2012/19/EU mukaisesti. Tuotteessa tai sen pakkauksessa oleva symboli osoittaa, ettei tätä tuotetta tule hävittää kotitalousjätteenä. Sen sijaan se tulee toimittaa asianmukaiseen keräyspisteeseen sähkö- ja elektroniikkalaiteromun kierrätykseen.

Varmistamalla tuotteen asianmukaisen hävittämisen autat estämään ympäristölle ja ihmisten terveydelle aiheutuvia haitallisia vaikutuksia, joita voi aiheutua tämän tuotteen epäasianmukaisesta hävittämisestä.

Lisätietoja tämän laitteen kierrätyksestä saat ottamalla yhteyttä paikalliseen jätehuollosta vastaavaan viranomaiseen, jätehuoltopalveluusi tai tuotteen myyneeseen liikkeeseen.

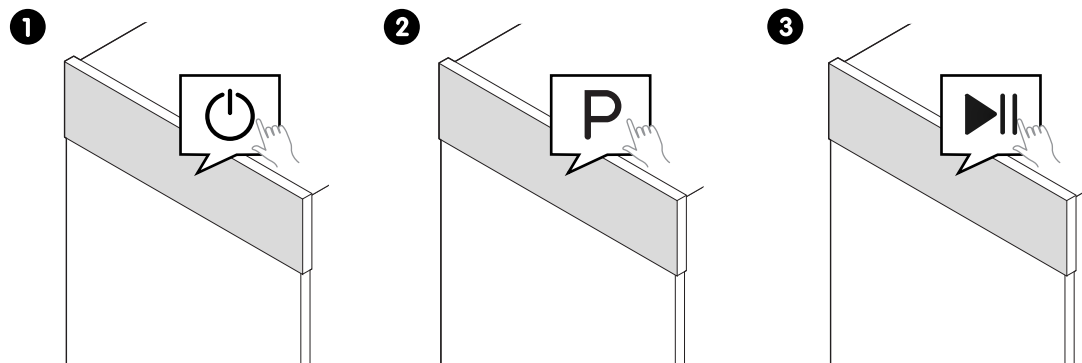
PIKAOPAS

Ennen pesua

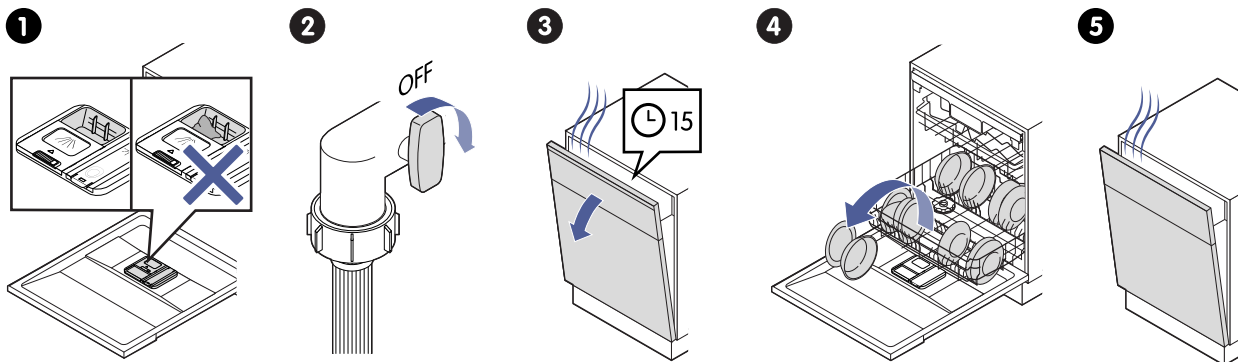


* Valinnainen

Pesu

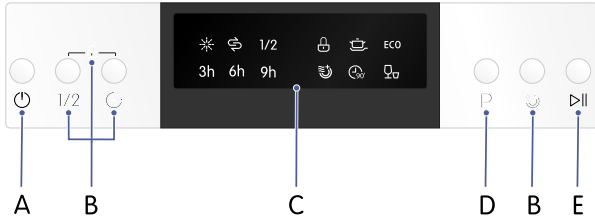


Pesun jälkeen



ASTIANPESUKONEESEEN TUTUSTUMINEN

Säätimet



- A. On/Off
- B. Lisävalinnat, asetukset ja toiminnot
- C. Näyttö
- D. Ohjelmanvalitsin
- E. Käynnistys/keskeytys

Näytön symbolit



Huuhtelukirkaste



Suola



Puolitäysi



Lapsilukko



Viive 3h



Viive 6h



Viive 9h



Lisäkuivaus



Teho



ECO

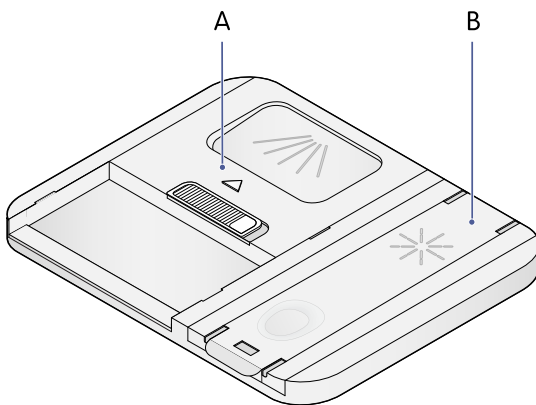


90 min



Nopea

Pesuaineen annostelija ja huuhtelukirkasteen annostelija



- A. Pesuaineen annostelija
- B. Huuhtelukirkasteen annostelija




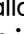


VAROITUS!

Älä käytä saippuaa, pyykinpesuainetta tai käsiastianpesuainetta astianpesukoneessa. Käytä vain astianpesukonekäyttöön erityisesti tarkoitettua pesuainetta ja huuhtelukirkastetta.

Käytä lapsilukkoa

Aktivoi lapsilukko lasten tahattoman käytön estämiseksi.

1. Paina  ja 1/2 3 sekunnin ajan, kunnes -ilmaisvalo syttyy. Kaikki painikkeet paitsi  lukittuvat.
2. Poista lapsilukko käytöstä painamalla  ja 1/2 3 sekunnin ajan.
HUOMAA! Virran sammuttaminen ja kytkeminen poistaa lapsilukon käytöstä.

Ohjelmat

Ohjelma	Kuvaus
90 min	Tavanomaisen likaiselle tiskille, joka tarvitsee nopeaa pesua.
ECO	Suosittelu ohjelma tavanomaisen likaisille tiskeille, sillä se vähentää energian ja veden kulutusta.
Teho	Erittäin likaisille astioille ja tavanomaisen likaisille kattiloille, pannuille, tiskeille jne., joissa on kuivunutta ruokaa.
Nopea	Lyhempi pesu kevyen likaisille tiskeille, joita ei tarvitse kuivata.

Lisävalinnat, asetukset ja toiminnot



Automaattinen avaus

Avaa astianpesukoneen luukun automaattisesti ohjelman lopussa. Tämä parantaa kuivaustulosta. Tämä toiminto on aina aktiivinen, eikä sitä voi sammuttaa.



Lapsilukko

Estää koneen tahattoman käytön. Katso kappale "Käytä lapsilukkoa", sivu 59.



Viive

Viivästyttää pesuohjelman alkua määritetyllä ajalla. Viiveaika on enintään 9 tuntia.



Lisäkuivaus

Antaa astioille ylimääräisen perusteellisen kuivauksen.



Puolitäysi

Säästää energiaa ja vettä. Voidaan käyttää, kun astianpesukoneen paikoista korkeintaan puolet on käytössä.

ENNEN ENSIMMÄISTÄ KÄYTTÖKERTAA



OLE VAROVAINEN!

Tarkista ennen pesua, että astianpesukone on asennettu oikein.

Vedenpehmentimeen on lisättävä suolaa mineraalien ja suolojen poistamiseksi vedestä, sillä ne voivat haitata astianpesukoneen toimintaa. Katso kappale "Lisää suolaa vedenpehmentimeen", sivu 61.

Säädä vedenpehmentimen määrää

Asta vedenpehmentimen määrä alueesi veden kovuuden mukaan. Valitse sopiva määrä seuraavan taulukon avulla. Paikalliselta vesilaitokselta voi saada tietoa paikallisesta veden kovuudesta.

Veden kovuus				Vedenpehmentimen määrä	Regenerointitap ahtuma*	Suolan kulutus (grammaa/sykli)
Saksalainen °dH	Ranskalainen °fH	Brittiläinen °Clarke	mmol/l			
0 - 5	0 - 9	0 - 6	0 - 0,94	H1 - -ilmaisivalo syttyy	Ei regenerointia	0
6 - 11	10 - 20	7 - 14	1,0 - 2,0	H2 - -ilmaisivalo syttyy	10	9
12 - 17	21 - 30	15 - 21	2,1 - 3,0	H3 - ja -ilmaisivalot syttyvät	5	12
18 - 22	31 - 40	22 - 28	3,1 - 4,0	H4 - -ilmaisivalo syttyy	3	20
23 - 34	41 - 60	29 - 42	4,1 - 6,0	H5 - ja -ilmaisivalot syttyvät	2	30
35 - 55	61 - 98	43 - 69	6,1 - 9,8	H6 - ja -ilmaisivalot syttyvät	1	60

*Regenerointi tapahtuu X ohjelmasyklin välein.



HUOMAA!

Jokainen regenerointitoiminnon sisältävä sykli lisää vedenkulutusta 2,0 litralla, energiankulutusta 0,02 kWh ja ohjelman kestoa 4 minuuttia.

1. Sulje luukku.
2. Kytke virta koneeseen painamalla .
3. Paina 60 sekunnin sisällä **P** yli 5 sekunnin ajan vedenpehmentimen asetustilaan siirtymiseksi.
4. Paina **P** vaihtaaksesi mahdollisten vedenpehmentimen määrän tasojen välillä (**H1**, **H2**, **H3** (oletus), **H4**, **H5**, **H6**).
5. Vahvasta ja sulje vedenpehmentimen asetustila painamalla .

Poistut vedenpehmentimen asetustilasta, jos jätät asetukset muuttamatta 5 sekunnin ajaksi.

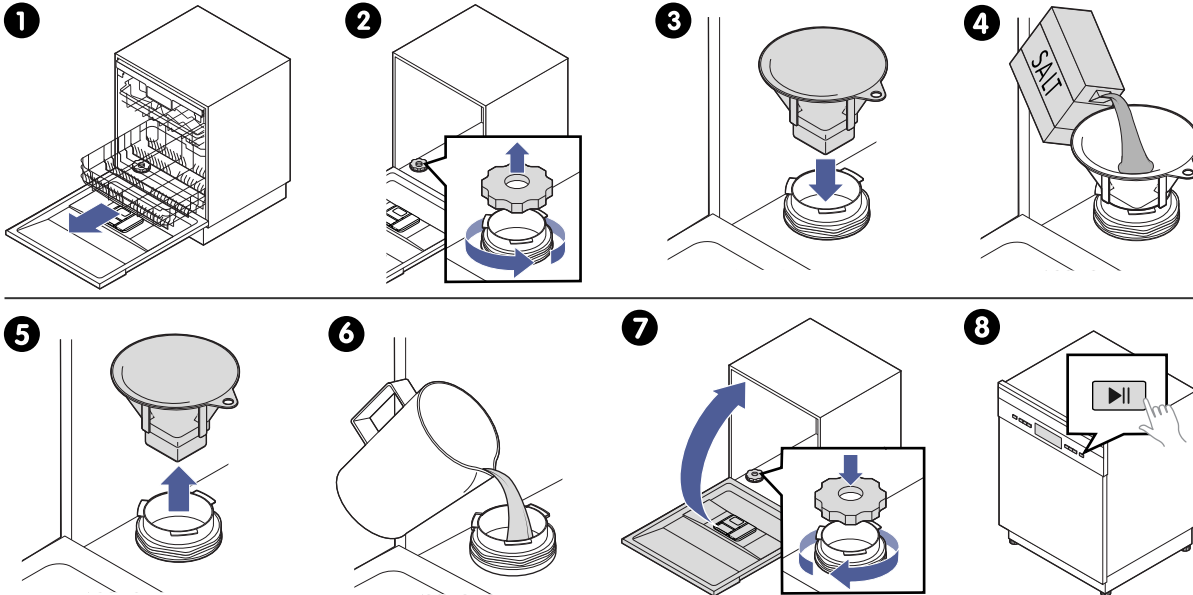
Lisää suolaa vedenpehmentimeen



Tee tämä, kun -merkkivalo palaa.



OLE VAROVAINEN!

- Käytä vain erityisesti astianpesukonekäyttöön tarkoitettua suolaa. Muunlaiset suolat, erityisesti ruokasuola, vahingoittavat vedenpehmentintä.
- Täytä suola vasta juuri ennen pesua. Koneen pohjalle läikkynyt ja jäänyt suola tai suolavesi voi aiheuttaa korroosiota. Jos suolaa läikkyy, poista se Nopea-ohjelmalla.



1. Ota alakori pois.
2. Ruuvaa kansi irti.
3. Laita suppilon pää reikään.
4. Lisää noin 1,5 kg astianpesukonesuolaa.
5. Ota suppilo pois reiästä.
6. Täytä suolasäiliö maksimimäärään vedellä. (On normaalia, että pieni määrä vettä tulee suolasäiliöstä).
HUOMAA! Täytä suolasäiliö vedellä vain ensimmäisellä kerralla, kun lisäät suolaa vedenpehmentimeen.
7. Ruuvaa kansi tiukasti takaisin ja sulje luukku.
-merkkivalo ei enää pala.
HUOMAA! Riippuen suolan liukenemisesta -merkkivalo voi edelleen palaa, vaikka suolasäiliö olisi täytetty.
8. Aloita lyhyt pesuohjelma välittömästi.
OLE VAROVAINEN! Kun olet lisännyt suolaa vedenpehmentimeen, sinun tulee heti käynnistää pesuohjelma. Muussa tapauksessa koneen suodatinjärjestelmä, pumppu tai muut tärkeät osat voivat vaurioitua suolaveden vuoksi.

Käytä konetta tyhjänä.

Tarkista, että kone on asennettu oikein.

1. Kytke virtajohto.
2. Avaa vesihana.
3. Aloita ohjelma.
HUOMAA! Älä laita astioita koneeseen.

Kone on käyttövalmis, kun ohjelma on suoritettu loppuun.

Efnisyfirlit

LESTU ÞETTA!	64
ÖRYGGI	65
Viðvaranir	65
Ætluð notkun	65
Öryggi fyrir börn og fólk með fötlun	65
Almennt öryggi.....	66
Öryggi við uppsetningu.....	66
Öryggi við notkun.....	67
Öryggi við viðhald	68
Förgun	68
FLÝTIBYRJUN	69
KYNTUST UPPÞVOTTAVÉLINNI ÞINNI	70
Stýringar	70
Tákn á skjánum	70
Þvottaefnisshammtari og skammtari gljáa	70
Notkun barnalæsingar.....	71
Kerfi	71
Valkostir, stillingar og aðgerðir.....	71
FYRIR FYRSTU NOTKUN	72
Stilla hæð vatnsmýkingarefnis.....	72
Bættu salti við vatnsmýkingarefnið.....	72
Keyrðu vélina tóma.....	73

LESTU ÞETTA!



VIÐVÖRUN!

Lestu öryggisupplýsingarnar og leiðbeiningarnar í heild sinni áður en þú setur þetta tæki upp eða notar það.

Finna leiðbeiningarnar í heild sinni

Þú finnur ítarlegustu og nýlegustu notendaupplýsingarnar fyrir vörugerð þína á vefsíðunni www.elvita.se. Þetta innifelur upplýsingar um uppsetningu, notkun, viðhald og bilanagreiningu. Þú þarft gerðarkóðann til að leita að upplýsingunum.

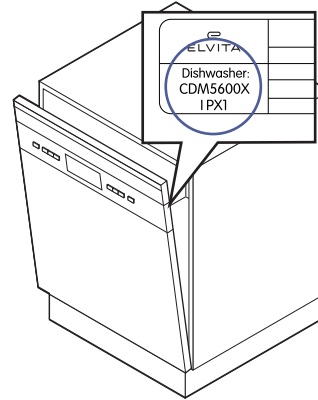
Finndu gerðarkóðann

Gerðarkóðinn er prentaður á merkimiða á tækinu.



ATHUGIÐ!

Þetta tæki og textamerking eru dæmi. Tækið þitt og texti gætu haft annað útlit og innihald.



ÖRYGGI

Lesið þessar leiðbeiningar vandlega áður tækið er sett upp og notað. Geymið leiðbeiningarnar nálægt tækinu til síðari nota. Margskonar ábyrgðir munu falla úr gildi ef þessum leiðbeiningum er ekki fylgt.

Viðvaranir



VIÐVÖRUN!

Notaðar þegar hættu er á líkamstjóni.



VARÚÐ!

Notaðar þegar hættu er á því að varan verði fyrir tjóni.



ATHUGIÐ!

Almennar upplýsingar sem þú ættir að vita um.



Hjálpleg ráð sem þér kunna að þykja gagnleg.

Ætluð notkun

Þetta tæki er aðeins ætlað til notkunar innandyrna á heimili eða heimilisumhverfi eins og:

- eldhúsum starfsfólks í verslunum, á skrifstofum og öðrum starfsumhverfum;
- bóndabýli;
- af viðskiptavinum á hótelum, mótelum og öðrum íbúðaumhverfum;
- gistiheimilisumhverfum.

Öryggi fyrir börn og fólk með fötlun



VIÐVÖRUN!

Látið eftirfarandi hópa aðeins nota tækið undir umsjón eða ef þeim hafa verið veittar leiðbeiningar um örugga notkun þess. Þau verða að skilja hætturnar sem eru til staðar.

- Börn. (Börn yngri en 8 átta ára verða að vera undir stöðugu eftirliti.)
- Fólk með minnkaða líkamlega, skynjunarlega eða andlega getu.
- Fólk sem skortir reynslu og þekkingu.



VIÐVÖRUN!

- Leyfið börnum ekki að leika sér með tækið.
- Leyfið börnum ekki að þrifa tækið án eftirlits.



VIÐVÖRUN!

Fjarlægðu umbúðaeftirni þar sem það gæti verið hættulegt fyrir börn.



VIÐVÖRUN!

Hafðu uppþvottavélarefni þar sem börn ná ekki til. Uppþvottavélarefni er tærandi.

Almennt öryggi



VIÐVÖRUN!

- Aðeins hæfur tæknimaður má setja upp og framkvæma viðgerð.
- Sum uppþvottavélaefni eru mjög basísk. Þau geta verið gífurlega hættuleg ef þau eru gleypt. Forðist snertingu við húð og augu og haldið börnum frá uppþvottavélinni meðan hurðin er opin.
- Ef yfirflæði verður skal skrúfa fyrir aðalvatnsinntakið áður en hringt er í þjónustu.
- Ef það er vatn í grunni uppþvottavélarinnar vegna yfirfyllingar eða smávegis leka skal fjarlægja vatnið áður en uppþvottavélin er endurræst.
- Ekki setja þunga hluti á hurðina þegar hún er opin eða standa á henni. Tækið gæti oltið fram fyrir sig.



VIÐVÖRUN!

Ekki skilja hurðina eftir opna þar sem það gæti skapað hættu á því að fólk detti um hana.



VIÐVÖRUN!

Hætta á rafstuði!

- Aftengdu rafmagn áður en uppþvottavélin er sett upp. Ef það er ekki gert getur það leitt til dauða eða raflosts.
- Ekki setja eininguna, rafmagnssnúruna eða kló í vatn eða annan vökva.
- Þetta tæki verður að vera jarðtengt. Í tilfelli gangtruflana eða bilunar minnkar jarðtenging hættuna á raflosti með því að leiða rafstrauminn þangað sem viðnámið er minnst. Þetta tæki er búið kló með jarðleiðara.



VARÚÐ!

- Ekki þvo plasthluti nema þeir séu merktir með „má setja í uppþvottavél“ eða sambærilegu. Athugaðu ráðleggingar framleiðandans varðandi plasthluti sem hafa ekki þessa merkingu.
- Notaðu aðeins þvottaefni og skolefni sem mælt er með til notkunar í uppþvottavél.
- Notaðu aldrei sápu, taupvottaefni eða handþvottaefni í uppþvottavélinni.
- Ekki misnota, sitja á eða standa á hurðinni eða diskagrind uppþvottavélarinnar.
- Ekki eiga við stýringarnar meðan verið er að hlaða hlutum í til að þvo.

Öryggi við uppsetningu



VIÐVÖRUN!

- Rafbúnaður verður að vera settur upp af fagfólki.
- Slöngur ættu að vera settar upp af fagfólki.



VIÐVÖRUN!

Hætta á rafstuði!

- Aftengdu rafmagn áður en tækið er sett upp. Ef það er ekki gert getur það leitt til dauða eða raflosts.
- Stinga verður klónni í viðeigandi rafmagnsinnstungu sem er sett upp og jarðtengd samkvæmt öllum staðbundnum lögum og reglugerðum.
- Óviðeigandi tenging jarðleiðarans getur leitt til hættu á raflosti.
- Talaðu við hæfan rafvirkja eða þjónustufulltrúa ef þú ert í vafa hvort tækið sé rétt jarðtengt.
- Ekki breyta klónni sem fylgir tækinu ef hún passar ekki í rafmagnsinnstunguna.
- Láttu hæfan rafvirkja setja upp rétta rafmagnsinnstungu.
- Gakktu úr skugga um að uppþvottavélin sé rétt jarðtengd fyrir notkun.
- Ekki nota framlengingarsnúru eða breytistykki með þessu tæki.
- Undir engum kringumstæðum skal skera eða fjarlægja jarðtenginguna úr rafmagnssnúrunni.
- Gættu að því að rafmagnssnúran beyglist ekki eða kremjist.

**VARÚÐ!**

- Vatnsinntaksprýstingurinn verður að vera á milli 0,04 MPa og 1 MPa.
- Tækið verður að vera tengt við vatnsinntakið með nýjum slöngum. Ekki endurnota gamlar slöngur.
- Ef vatnsleiðslurnar eru nýjar eða hafa ekki verið notaðar í langan tíma skal láta vatnið renna til að tryggja að vatnið sé hreint. Þessi ráðstöfun er nauðsynleg til að forðast hættuna á að vatnsinntakið stíflist og skemmi tækið.
- Ef vaskurinn er með úðasprautu sem fær vatn í gegnum slöngu sem er tengd við sömu vatnsleiðslu og uppþvottavélin gæti öryggisinntaksslangan sprungið. Ef vaskurinn þinn hefur eina slíka er ráðlagt að aftengja öryggisinntaksslönguna og setja tappa í gatið.

**VARÚÐ!**

Tækið má ekki halla meira en 2°.

Öryggi við notkun

**VIÐVÖRUN!**

Ekki nota uppþvottavélina nema öll umlykjandi þil séu á sínum stað.

**VIÐVÖRUN!**

- Ekki láta neinn hluta standa út úr botni grindarinnar.
- Hnífar og önnur áhöld með beittum oddum verður að hlaða í grindina með oddinn niður eða setta í lárétta stöðu.

**VIÐVÖRUN!**

Hafðu uppþvottavélaefni þar sem börn ná ekki til. Uppþvottavélaefni er tærandi.

**VIÐVÖRUN!**

- Hættulegt er að opna hurðina í miðri lotu þar sem heit gufa getur brennt þig.
- Opnaðu hurðina mjög varlega ef uppþvottavélin er í gangi. Hætta er á að vatn sprautist út.
- Leirtauið er heitt ef það er tekið strax úr. Bíddu í 15 mínútur eftir að kerfinu lýkur áður en gler og hnífapör eru fjarlægð.

**VARÚÐ!**

Ef vatnsleiðslurnar eru nýjar eða hafa ekki verið notaðar í langan tíma skal láta vatnið renna til að tryggja að vatnið sé hreint. Þessi ráðstöfun er nauðsynleg til að forðast hættuna á að vatnsinntakið stíflist og skemmi tækið.

**VARÚÐ!**

- Notaðu aðeins þvottaefni sem eru sérstaklega ætlað til notkunar í uppþvottavél. Haltu þvottaefninu þínu fersku og þurru.
- Ekki setja þvottaefnisduft í skammtarann þar til þú ert tilbúin(n) að þvo leirtauið.
- Notaðu aðeins vörumerki gljáa sem eru hönnuð fyrir uppþvottavélar. Aldrei fylla á skammtara gljáa með neinu öðru efni (t.d. hreinsiefni fyrir uppþvottavél, fljótandi þvottaefni). Það myndi skemma tækið.
- Notaðu aðeins salt sem er sérstaklega hannað til notkunar í uppþvottavélum. Allar aðrar tegundir af salti sem eru ekki sérstaklega hannaðar fyrir notkun í uppþvottavélum, sérstaklega borðsalt, munu skemma vatnsmýkingarefnið. Ábyrgð framleiðanda nær ekki yfir neinar skemmdir sem verða vegna notkunar óviðeigandi salts.
- Fylltu aðeins á með salti áður en lota er sett í gang. Það hindrar að saltkorn eða saltvatn sem gætu hafa hellst niður séu eftir á botni vélarinnar í einhvern tíma, sem getur valdið tæringu.

**VARÚÐ!**

- Þegar síurnar eru hreinsaðar skal ekki ofherða þær. Settu síurnar aftur í örugglega og í réttri röð, annars gæti gróft rusl komist inn í kerfið og valdið stíflu.
- Notaðu aldrei uppþvottavélina án þess að síurnar séu til staðar. Röng útskipting á síum getur minnkað afköst tækisins og skemmt leirtau og áhöld.

**VARÚÐ!**

Settu oddhvassa hluti þannig að ekki sé líklegt að þeir skemmi hurðarþéttinguna.



Þvottur á leirtau með þessari uppþvottavél eyðir minni orku og vatni en ef það væri gert í hendi, svo framfarlega sem þú notar vélina í heimilistilgangi og fylgir leiðbeiningunum í þessari handbók.

Öryggi við viðhald

**VIÐVÖRUN!**

- Aðeins hæfur tæknimaður má setja upp og framkvæma viðgerð.
- Allar viðgerðir sem framkvæmdar eru af einhverjum sem er ekki hæfur tæknimaður setja notendur tækisins í hættu á líkamstjóni.
- Ábyrgðarkröfur sem komnar eru til vegna viðgerða sem framkvæmdar voru af einhverjum sem er ekki hæfur tæknimaður falla ekki undir ábyrgðina.
- Ef rafmagnssnúran er skemmd verður henni að vera skipt út af framleiðandanum, þjónustuaðila hans eða sambærilega hæfum einstaklingi til að forðast hættu.

**VIÐVÖRUN!**

Aftengdu tækið frá rafveitu áður en framkvæmd er hreinsun og viðhald á tækinu.

**VARÚÐ!**

- Til að hindra að vatn komist inn í hurðarlæsinguna og rafbúnað skal ekki nota úðahreinsiefni af neinni tegund.
- Notaðu ekki leysiefni eða svarfandi hreinsiefni til að hreinsa ytra byrði og gúmmíhluta uppþvottavélarinnar.
- Notaðu aldrei svarfandi hreinsiefni eða ræstipúða á ytri yfirborð þar sem þau geta rispað lakkið. Sumar pappírspurrkur geta einnig rispað yfirborðið eða skilið eftir sig merki.

**VARÚÐ!**

- Þegar síurnar eru hreinsaðar skal ekki ofherða þær. Settu síurnar aftur í örugglega og í réttri röð, annars gæti gróft rusl komist inn í kerfið og valdið stíflu.
- Notaðu aldrei uppþvottavélina án þess að síurnar séu til staðar. Röng útskipting á síum getur minnkað afköst tækisins og skemmt leirtau og áhöld.

Förgun



Áður en þú fargar tækinu skaltu skera rafmagnssnúruna af og tryggja að hurðarlæsingin sé óvirk.

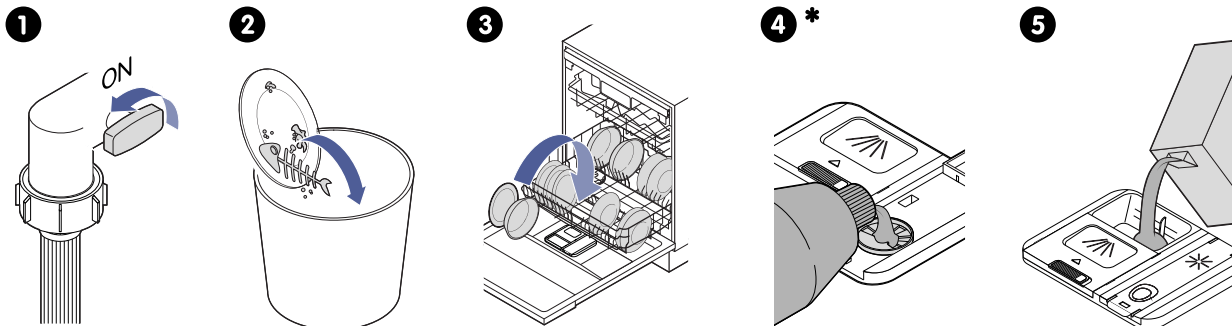
Fargaðu umbúðum á umhverfisvænan hátt. Með því setja umbúðir í endurvinnslu, samkvæmt reglum lands og staðar er hægt að draga úr notkun hráefna og magni úrgangs í landfyllingum.

Þetta tæki er merkt í samræmi við Evróputilskipun 2012/19/ESB, rafmagns- og rafeindatækjaúrgangur (WEEE). Táknið á tækinu eða á umbúðum þess gefur til kynna að ekki skuli meðhöndla það sem heimilisúrgang. Í staðinn skal afhenda það til viðeigandi söfnunarstöðvar fyrir endurvinnslu rafmagns- og rafeindatækjaúrgangs.

Með því að tryggja rétta förgun tækisins hjálpar þú við að koma í veg fyrir mögulega neikvæðar afleiðingar fyrir umhverfið og heilsu manna, sem að öðrum kosti gætu orðið vegna óviðeigandi meðhöndlunar úrgangs vegna þessa tækis. Til að fá nánari upplýsingar um endurvinnslu þessa tækis skaltu hafa samband við viðkomandi bæjaryfirvöld sem sjá um sorphirðu, heimilissorppjónustu eða verslunina þar sem þú keyptir tækið.

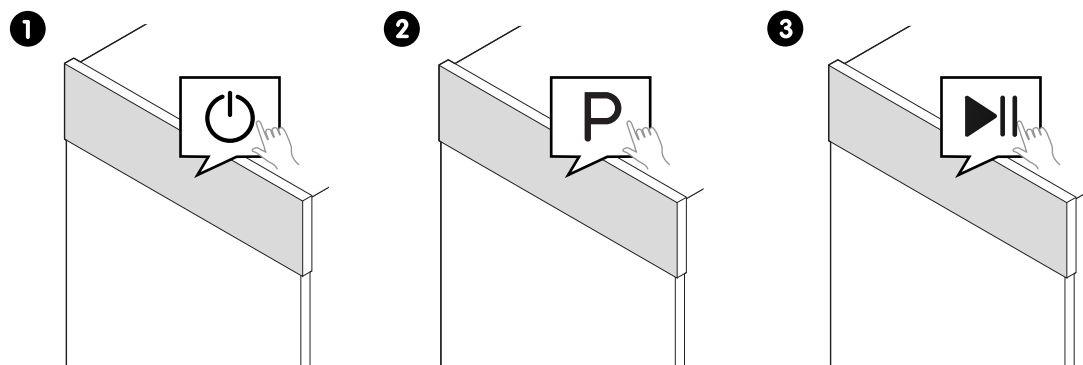
FLÝTIBYRJUN

Fyrir þvott

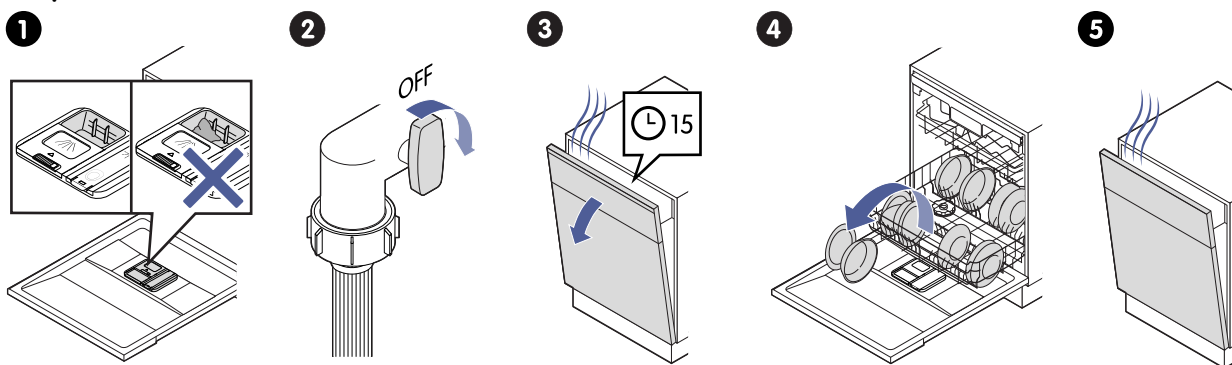


* Valfrjálst

Þvottur

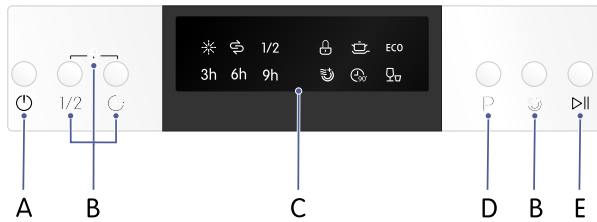


Eftir þvott



KYNTUST UPPÞVOTTAVÉLINNI ÞINNI

Stýringar



- A. Kveikja/slökkva
- B. Valkostir, stillingar og aðgerðir
- C. Skjár
- D. Kerfisval
- E. Kveikja/gera hlé

Tákn á skjánum



Gljái



Salt



Hálf hleðsla



Barnalæsing



Seinkun 3 klst.



Seinkun 6 klst.



Seinkun 9 klst.



Auka þurrkun



Öflugt



Sparnaður

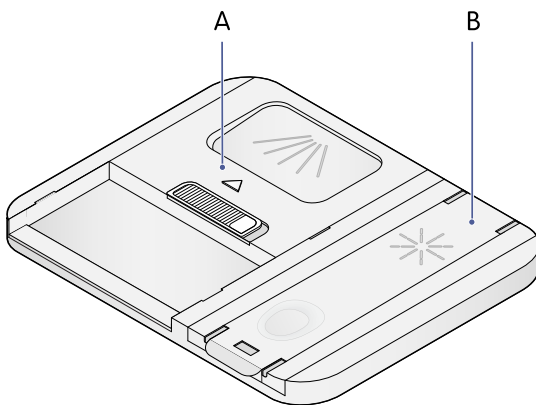


90 mín



Hratt

Þvottaefnisskammtari og skammtari gljáa



- A. Þvottaefnisskammtari
- B. Skammtari gljáa




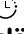


VIÐVÖRUN!

Notaðu ekki sápu, taupvottaefni eða handþvottaefni í uppþvottavélinni. Notaðu aðeins þvottaefni og gljáa sem eru sérstaklega ætluð til notkunar í uppþvottavél.

Notkun barnalæsingar

Virkaðu barnalæsinguna til að hindra að börn opni óvart.

1. Ýttu og haltu  og 1/2 í 3 sekúndur þar til gaumljósið  kviknar.
Allir hnappar nema  eru nú læstir.
2. Ýttu og haltu  og 1/2 í 3 sekúndur til að gera barnalæsinguna óvirka.
ATHUGIÐ! Ef slökkt er og kveikt aftur gerir það barnalæsinguna óvirka.

Kerfi

Kerfi	Lýsing
90 mín	Fyrir venjulega óhreina hleðslu sem þarf hraðan þvott.
Sparnaður	Ráðlagt kerfi fyrir venjulega óhreint leirtau, þar sem það minnkar orku- og vatnseyðslu.
Öflugt	Fyrir mjög óhrein hnífapör, og venjulega óhreina potta, pönnur, diska o.s.frv., með áföstum matarleifum.
Hratt	Styttri þvottur fyrir lítið óhreinar hleðslur sem ekki þarf að þurrka.

Valkostir, stillingar og aðgerðir



Sjálfvirk opnun

Opnar hurð uppvottavélarinnar sjálfkrafa í lok kerfis. Þetta bætir árangur við þurrkun. Þessi aðgerð er alltaf virk og ekki hægt að slökkva á henni.



Barnalæsing

Kemur í veg fyrir að vélin sé notuð fyrir slysi. Sjá hluti "Notkun barnalæsingar", síðu 71.



Seinkun

Seinkar byrjun þvottakerfisins um ákveðið langan tíma. Hámarks seinkunartími er 9 klukkustundir.



Auka þurrkun

Veitir leirtauinu aukalega vandlega þurrkun.



Hálf hleðsla

Sparar orku og vatn. Hægt að nota þegar fyllt hefur verið í helming eða minna af plássi uppvottavélarinnar.

FYRIR FYRSTU NOTKUN



VARÚÐ!

Gakktu úr skugga um að uppþvottavélin sé rétt upp sett áður en þvegið er.

Þú þarft að bæta salti við vatnsmýkingarefnið til að fjarlægja steinefni og sölt úr vatninu sem gætu haft slæm áhrif á virkni uppþvottavélarinnar. Sjá hluti "Bættu salti við vatnsmýkingarefnið", síðu 72.

Stilla hæð vatnsmýkingarefnis

Stilltu hæð vatnsmýkingarefnis eftir vatnshörkunni á þínu svæði. Sjá eftirfarandi töflu til að velja viðeigandi hæð. Yfirvöld vatnsveitu staðarins geta ráðlagt þér varðandi vatnshörkuna á staðnum þínum.

Vatnsharka				Hæð vatnsmýkingarefnis	Tilvik endurnýjunar*	Saltnotkun (grömm/lotu)
Þýsk °dH	Frönsk °FH	Bresk °Clarke	mmol/l			
0 - 5	0 - 9	0 - 6	0 - 0,94	H1 - gaumljósið lýsir	Engin endurnýjun	0
6 - 11	10 - 20	7 - 14	1,0 - 2,0	H2 - gaumljósið lýsir	10	9
12 - 17	21 - 30	15 - 21	2,1 - 3,0	H3 - og gaumljósin lýsa	5	12
18 - 22	31 - 40	22 - 28	3,1 - 4,0	H4 - gaumljósið lýsir	3	20
23 - 34	41 - 60	29 - 42	4,1 - 6,0	H5 - og gaumljósin lýsa	2	30
35 - 55	61 - 98	43 - 69	6,1 - 9,8	H6 - og gaumljósin lýsa	1	60

*Endurnýjun á sér stað á X kerfislota fresti.



ATHUGIÐ!

Hver lota með endurnýjunaraðgerð eykur vatnsnotkunina um 2,0 lítra af vatni, orkunotkunina um 0,02 kWh, og lengd kerfisins um 4 mínútur.

1. Lokaðu hurðinni.
2. Ýttu á til að kveikja á vélinni.
3. Innan 60 sekúndna, ýttu og haltu **P** í meira en 5 sekúndur til að fara í uppsetningarstillingu vatnsmýkingarefnis.
4. Ýttu á **P** til að fara í gegnum tiltækar hæðir vatnsmýkingarefnis (**H1, H2, H3** (sjálfgefið), **H4, H5, H6**).
5. Ýttu á til að staðfesta og fara úr uppsetningarstillingu vatnsmýkingarefnis.

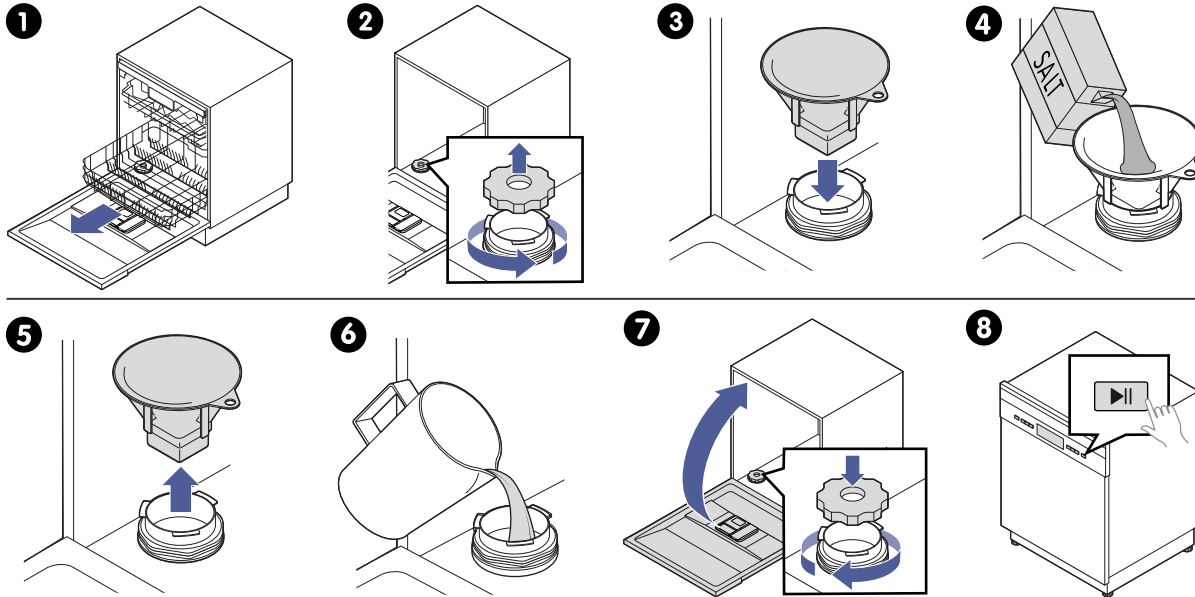
Þú ferð úr uppsetningarstillingu vatnsmýkingarefnis ef þú hefur stillingarnar óbreyttar í 5 sekúndur.



Bættu salti við vatnsmýkingarefnið

Gerðu þetta þegar gaumljósið lýsir.

**VARÚÐ!**

- Notaðu aðeins salt sem er sérstaklega ætlað til notkunar í uppþvottavélum. Allar aðrar tegundir af salti, sérstaklega borðsalt, mun skemma vatnsmýkingarefnið.
- Fylltu aðeins á með salti strax áður en lota er sett í gang. Saltkorn eða saltvatn sem hellast niður og eru skilin eftir á botni vélarinnar í einhvern tíma geta valdið tæringu. Ef salt hellist niður skal keyra Hratt kerfið til að fjarlægja það sem hellist niður.



1. Fjarlægðu neðri grindina.
2. Skrúfaðu tappann af.
3. Settu enda trektarinnar inn í gatið.
4. Bættu við um 1,5 kg af uppþvottavélasalti.
5. Fjarlægðu trektina úr gatinu.
6. Fylltu saltílátið að hámarks magni með vatni. (Það er eðlilegt að smávegis vatn komi út úr saltílátinu).
ATHUGIÐ! Settu einungis vatn í ílátið í fyrsta sinn sem þú bættir salti við vatnsmýkingarefnið.
7. Skrúfaðu tappann aftur þétt á og lokaðu hurðinni.
 gaumljósið lýsir ekki lengur.
ATHUGIÐ! Eftir því hversu vel saltið leysist upp gæti  gaumljósið enn verið kveikt jafnvel þótt saltílátið hafi verið fyllt.
8. Ræstu tafarlaust stutt þvottakerfi.
VARÚÐ! Eftir að salti hefur verið bætt við vatnsmýkingarefnið skaltu ræsa þvottakerfi strax. Annars gæti síukerfið, dælan eða aðrir mikilvægir hlutar vélarinnar skemmsta af völdum saltvatnsins.

Keyrðu vélina tóma.

Gakktu úr skugga um að vélin sé sett upp á réttan hátt.

1. Settu rafmagnssnúruna í samband.
2. Skrúfaðu frá vatnskrananum.
3. Ræstu þvottakerfi.
ATHUGIÐ! Settu ekkert leirtau í vélina.

Vélin er tilbúin til notkunar þegar kerfið hefur klárast.

The information may be subject to changes. Inadvertent errors in information may occur. / Informationen kan komma att ändras. Oavsiktliga fel i informationen kan förekomma. / Informasjonen kan endres. Det kan forekomme utilsiktede feil i informasjonen. / Oplysningerne er med forbehold for ændringer. Der kan forekomme utilsigtede fejl i oplysningerne. / Tietoihin voi tulla muutoksia. Tiedoissa voi olla tahattomia virheitä. / Upplýsingarnar gætu verið háðar breytingum. Óviljandi villur gætu hafa slæðst inn í upplýsingarnar.

ELVITA



elonGROUP

Elvita products are distributed and marketed by Elon Group AB.
Elon Group AB Bäcklundavägen 1 | 702 03 Örebro Sweden
ELON GROUP | +46(0)10-220 40 00 | ELONGROUP.SE
Support and service: ELVITA.SE